

TRIAC

is suitable for general purpose
 an ON/OFF function in applica
 induction motor starting circuits
 ight dimmers, motor speed conf
 ss triac is especially recommen
 sing an internal ceramic pad,
 a rated insulation voltage of 250
 standards (File ref: E252906).
 compliant.

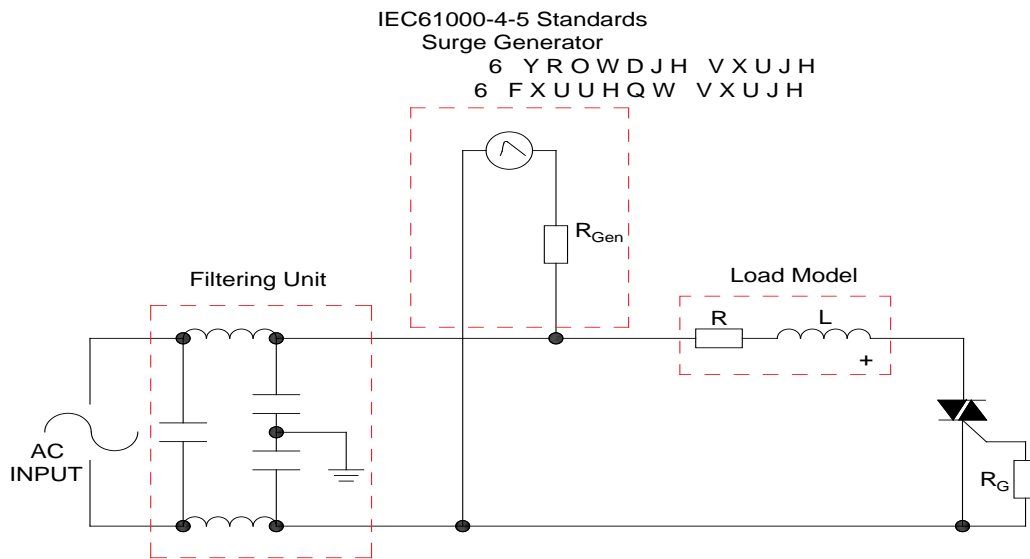
RATINGS

	Parameter	Symbol
	Storage junction temperature range	T_{stg}
	Operating junction temperature range	T_j
	Repetitive peak off-state voltage ($T_j=25^\circ C$)	V_{DRM}
	Repetitive peak reverse voltage ($T_j=25^\circ C$)	V_{RRM}
	RMS on-state current ($T_c = 80^\circ C$)	$I_{T(RMS)}$
		I_{TSM}

Peak gate power	P_{GM}	10	W
Peak pulse voltage ($T_j=25$)			

FIG.1: Maximum power

FIG.7 Test circuit for inductive and resistive loads to IEC-61000-4-5 standards



LEAD FORMING AND SOLDERING

Refer to the application note “Assembly Instructions for Thyristors in Through-hole Package” released by JieJie Microelectronics

ORDERING INFORMATION

Order code	Voltage V_{DRM}/V_{RRM} (V)	IGT(mA)	Package	Base qty. (pcs)	Delivery mode
		H- I- J			
JST16A-1200CW	1200	35	TO-220A(Ins)	50	Tube

Document Revision History

Date	Revision	Changes
------	----------	---------

Apr.12,

PACKAGE MECHANICAL DATA

