



ELECTRICAL CHARACTERISTICS ( $T_j=25$  unless otherwise specified)

Symbol	Test Condition	Quadrant	Value		Unit
$I_{GT}$	$V_D=12V$ $R_L=33$	- -	MAX.	25	mA
				70	
$V_{GT}$		ALL	MAX.	1	V
$V_{GD}$	$V_D=V_{DRM}$ $T_j=125$ $R_L=3.3k$	ALL	MIN.	0.2	V
$I_L$	$I_G=1.2I_{GT}$	- -	MAX.	50	mA
				100	
$I_H$	$I_T=500mA$		MAX.	40	mA
$dV/dt$	$V_D=540V$ Gate Open $T_j=125$		MIN.	200	$V/\mu s$
$(dV/dt)_c$	$(dI/dt)_c=7.2A/ms$ , $T_j=110$		MIN.	10	$X/\mu \bullet$
$t_{on}$	$I_G=80mA$ $I_A=400mA$ $I_R=40mA$ $T_j=25$		TYP.	10	s
$t_{off}$				70	

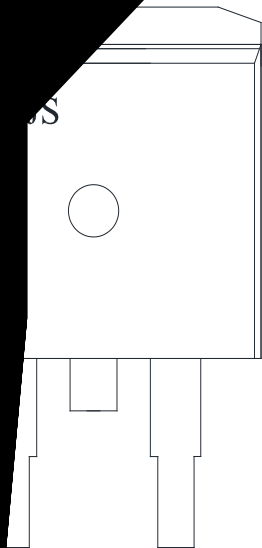
## STATIC CHARACTERISTICS

Symbol	Parameter		Value(MAX.)	Unit
$V_{TM}$	$I_{TM}=15A$ $t_p=380$ s	$T_j=25$	1.5	V
$V_{TO}$	Threshold voltage	$T_j=125$	0.75	V
$R_D$	Dynamic resistance	$T_j=125$	27	$\Omega$
$I_{DRM}$	$V_D=V_{DRM}$ $V_R=V_{RRM}$	$T_j=25$	5	A
$I_{RRM}$		$T_j=125$	0.5	mA

## THERMAL RESISTANCES

Symbol	Parameter	Value	Unit
$R_{th(j-c)}$	junction to case (AC)	1.3	$^{\circ}W$
$R_{th(j-a)}$	junction to ambient (AC, in free air, $S=2cm^2$ )	45	$^{\circ}W$

...e  
...e & Reel  
...mA IGT4 70mA  
...800V





**FIG.7:** Relative variations of gate trigger current, holding current and latching current versus junction temperature

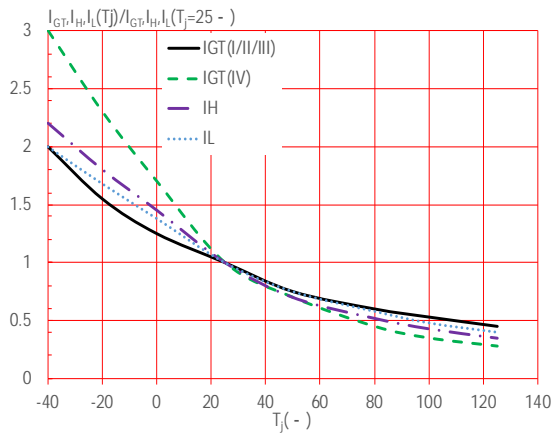
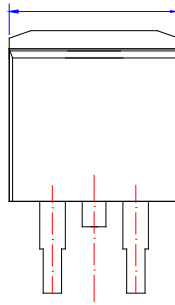
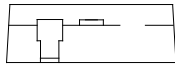


FIG.8

**ORDERING INFORMATION**

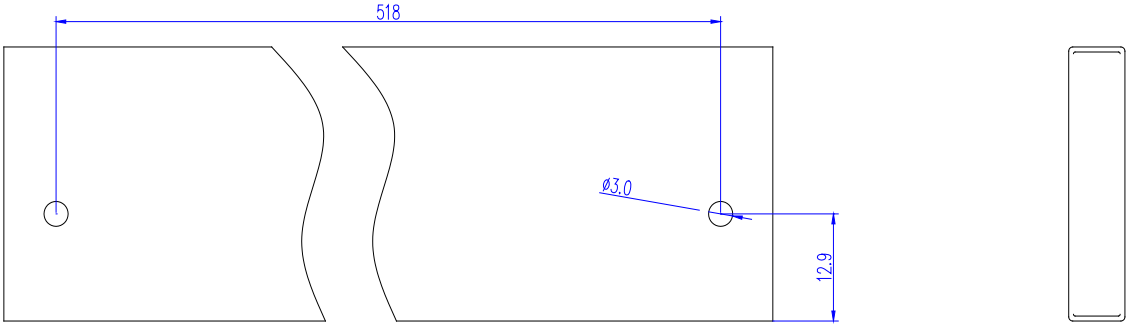
Order code	Voltage $V_{DRM}/V_{RRM}$ (V)	IGT(mA)	Package	
------------	----------------------------------	---------	---------	--

PACKAGE MECHANICAL DATA




Ref.	Dimensions					
	Millimeters			Inches		
	Min.	Typ.	Max.	Min.	Typ.	Max.
A	9.90		10.20	0.390		0.402
B	14.70		15.80	0.579		0.622
C	9.40		9.60	0.370		0.378
D	2.40			0.094		
E	1.20		1.50	0.047		0.059
F	0.75		0.85	0.029		0.033

DELIVERY MODE



Information furnished in this document is believed to be accurate and reliable. However, Jiangsu JieJie Microelectronics Co., Ltd. assumes no responsibility for the consequences of use without consideration for such information nor use beyond it. Information mentioned in this document is subject to change without notice, apart from that when an agreement is signed, Jiangsu JieJie complies with the agreement.

Products and information provided in this document have no infringement of patents. Jiangsu JieJie assumes no responsibility for any infringement of other rights of third parties which may result from the use of such products and information. This document supersedes and replaces all information previously supplied.

 is a registered trademark of Jiangsu JieJie Microelectronics Co., Ltd.  
Copyright © 2025 Jiangsu JieJie Microelectronics Co., Ltd. All rights reserved.