



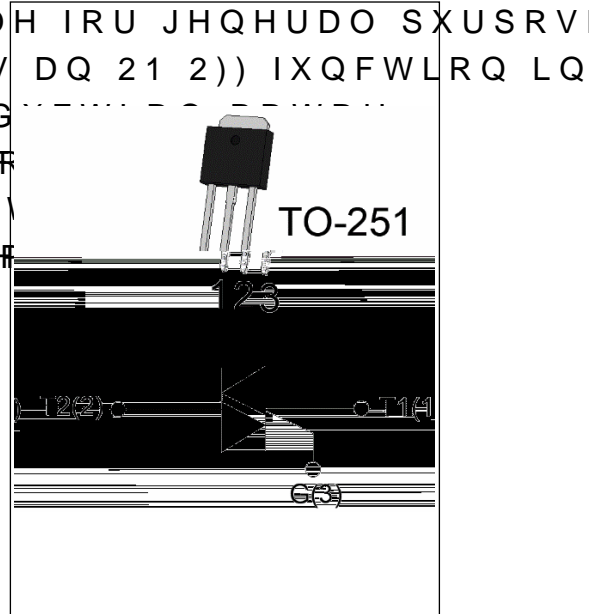
-, (-, ( 0, & 5 2 (/ (& 7 5 2 1, & 6 & 2 /7

-67 + 7 \$ 7 5, \$ &

5HY \$

^ Z/Wd/KEW

7KH -67 + 7 WULDF LV VXLWDEOH IRU JHQHUDO SXUSRVV  
\$& VZLWFKLQJ ,W FDQ EH XVHG DV DQ 21 2)) IXQFWLRQ LQ  
DSSOLFDWLRQV VXFJKD D WKLPDQLQJ  
VWDUWLQJ FLUF RQWV R R SHKDDWLF  
GLPPHUV PRWRUR SOHIGVFR QMP 7  
WR H[WHUQDO KHDV VLQW 3DFND RH



D /E & dhZ ^

6\PERO	9DOXH	8QLW
,7 506		
9.50 9.50		9
,*7		P\$

^K>hd D y/DhD Z d/E'^

3DUDPHWHU	6\PERO	9DOXH	8QLW
6WRUDJH MXSDFWLRQ W HLPDQJH	VWJ	7	
2SHUDWLQJ W HLPDQJH	M	7	
5HSHWLWLYH SHDN RII VWDWH YROWDJH 7	7		
5HSHWLWLYH SHDN W H YHUVH YROWDJH 7	7		
506 RQ VWDWH FXUUHQW 7	,7 506		
1RQ UHSHWLWLYH VXUJH SHDN RQ VWDWH FXUUHQW			
IXOO F\FOH M W			
1RQ UHSHWLWLYH VXUJH SHDN RQ VWDWH FXUUHQW	,7 506		
IXOO F\FOH V W 7			
,W YDOXH IRU XVVLQJ W	,W		V\$
&ULWLFDO BDW RWDWH FXUUHQW	G, GW		\$ V
; h,*7 l +]M 7			
3HDN JDWH FXUUHQW W	,*0		\$
\$YHUDJH JDWH SRZHU GLVVLSDWLRQ 7	7		
3HDN JDWH SRZHU	3*0		
3HDN SXOVH YROWDJH			
7M QRQ UHSHWLWLYH RII VWDWH),*	9SS		

-67 + 7

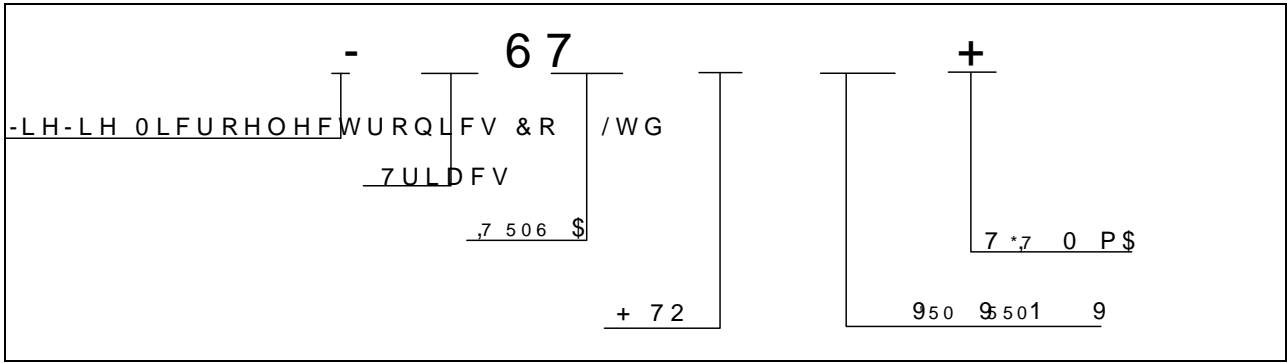
 -LH-LH 0LFURHOHFWURQL

> dZ/ > , Z d Z ~~M~~ d/ XQOHVV RWKHUZLVH VSHFLILHG

-67 + 7

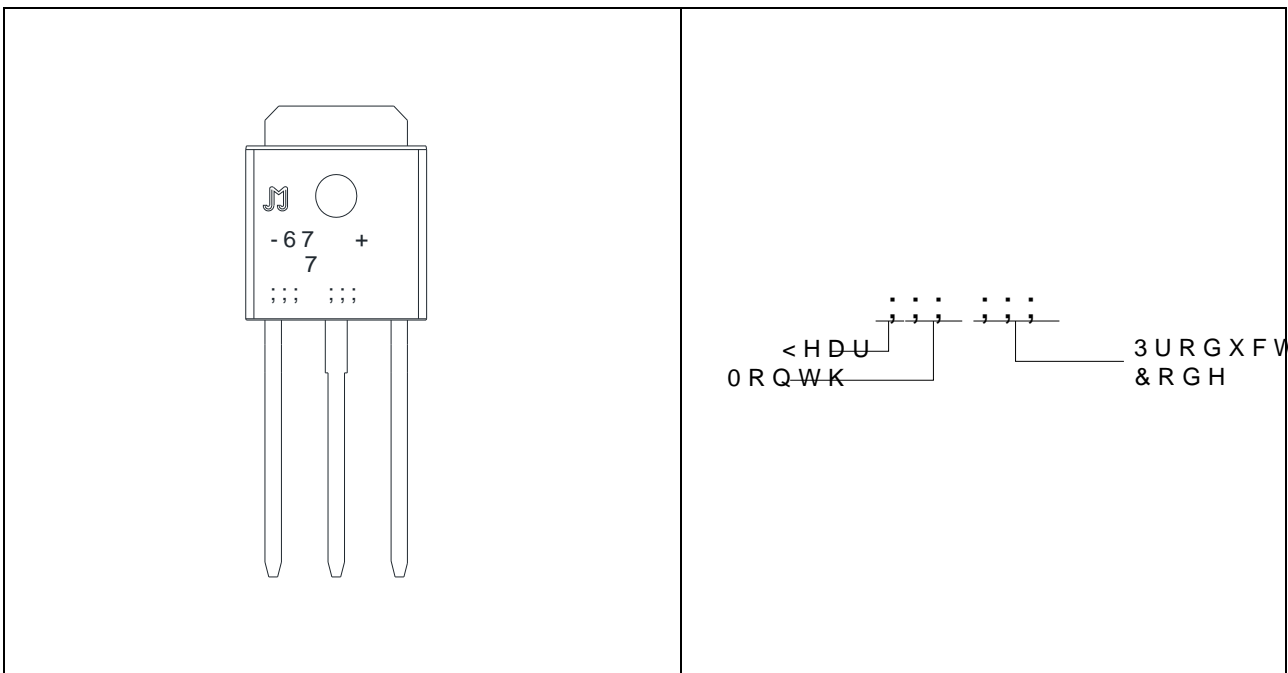
M-LH-LH 0LFURHOHFWURQL

KZ Z/E' /E&KZD d/KE



7

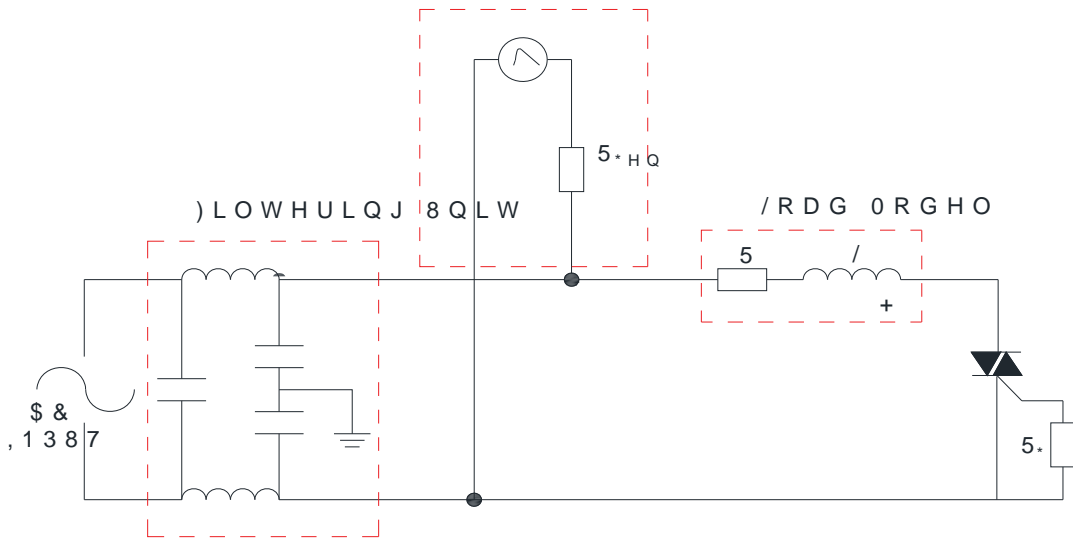
D Z</E'






), \* Ö7HVW FLUFXLW IRU LQGXFWLYH DQG VMDQGDUGV OR

, (& 6WDQGDUGV  
6XUJH \*HQHUDWRU  
6YROWDJH VXUJH  
6FXUUHQW VXUJH





$$-67 + 7$$

,QIRUPDWLRQ IXUQXPHQW LQ WKOLHGRHG WR EH DFFXUDWH D  
 -LDQJVV -LH-LH 0LURRHOWHG WDJRQLFHV OLRV UHRSRQVHLERQVHT  
 RI XVH ZLWKRXW FRQVLGHUDWLRQ IRG MWFKQLRUPDWLRQ  
 LQ WKLV GRFXPHQW LQJXZLWHFRXWRQRWLFH DSDUW IURP V  
 VLJQH -LDQJVSOLHVLZILFRPWKH DJUHHPHQW  
 3URGXFWV DQG LQIRUPDWLRQ GRFXPHQW KDYH QR LQIULQJ  
 -LDQJVV -LH-LH DVVXPHLOQW UIRVSRQWIRQKHQJWHJKWW RI WH  
 SDUWLHV ZKLFK PDN XVXROW XFRPSWBDFWRQDQKILQGRFXPH  
 VXSHUVHGHV DQG UHSODFHV DOO LQIRUPDWLRQ SUHYLRXV  
 LV D UHJLVWHUHGDWJXGLHDUNRIFURHOWHFWURQLFV &  
 &RS\ULJKW < -LDQJVRHHEMURQUEYK&RV UHWGHUSHG