



DESCRIPTION:

The JST12F-1200SW triac is suitable for general purpose AC switching. It can be used as an ON/OFF function in applications such as heating regulation, induction motor starting circuits, for phase control operation in light dimmers, motor speed controllers. JST12F-1200SW snubberless triac is especially recommended for use on inductive loads. It can be driven directly through the MCU I/O port. By using an external plastic package, JST12F-1200SW provides a rated insulation voltage of 2000 VRMS, complying with UL standards (File ref: E252906). Package TO-220F is RoHS compliant..

MAIN FEATURES

ABSOLUTE MAXIMUM RATINGS

Storage junction temperature range	T_{stg}	-40-150	A



Average gate power dissipation ($T_j=125$)	$P_{G(AV)}$	0.5	W
Peak gate power	P_{GM}	10	W
Peak pulse voltage ($T_j=25$; non-repetitive, off-state; FIG.7)	V_{pp}	4	kV

ELECTRICAL CHARACTERISTICS ($T_j=25$ unless otherwise specified)

I_{GT}	$V_D=12V R_L=33$	- -	MAX.	10	mA
V_{GT}		- -	MAX.	1	V
V_{GD}	$V_D=V_{DRM} T_j=125$ $R_L=3.3k$	- -	MIN.	0.2	V
I_L	$I_G=1.2I_{GT}$	-	MAX.	25	mA
				30	
I_H	$I_T=500mA$		MAX.	15	mA
dV/dt	$V_D=800V$ Gate Open $T_j=125$		MIN.	100	V/ μs
$(dI/dt)_c$	$(dV/dt)_c=10V/\mu s T_j=125$		MIN.	3	A/ms
t_{on}	$I_G=20mA I_A=200mA I_R=20mA$ $T_j=25$		TYP.	2.5	μs
t_{off}				25	

STATIC CHARACTERISTICS

V_{TM}	$I_{TM}=17A t_p=380\mu s$	$T_j=25$	1.5	V
V_{TO}	Threshold voltage	$T_j=125$	0.78	V
R_D	Dynamic resistance	$T_j=125$	37	m
I_{DRM}	$V_D=V_{DRM} V_R=V_{RRM}$	$T_j=25$	10	μA
I_{RRM}		$T_j=125$	2	mA

THERMAL RESISTANCES

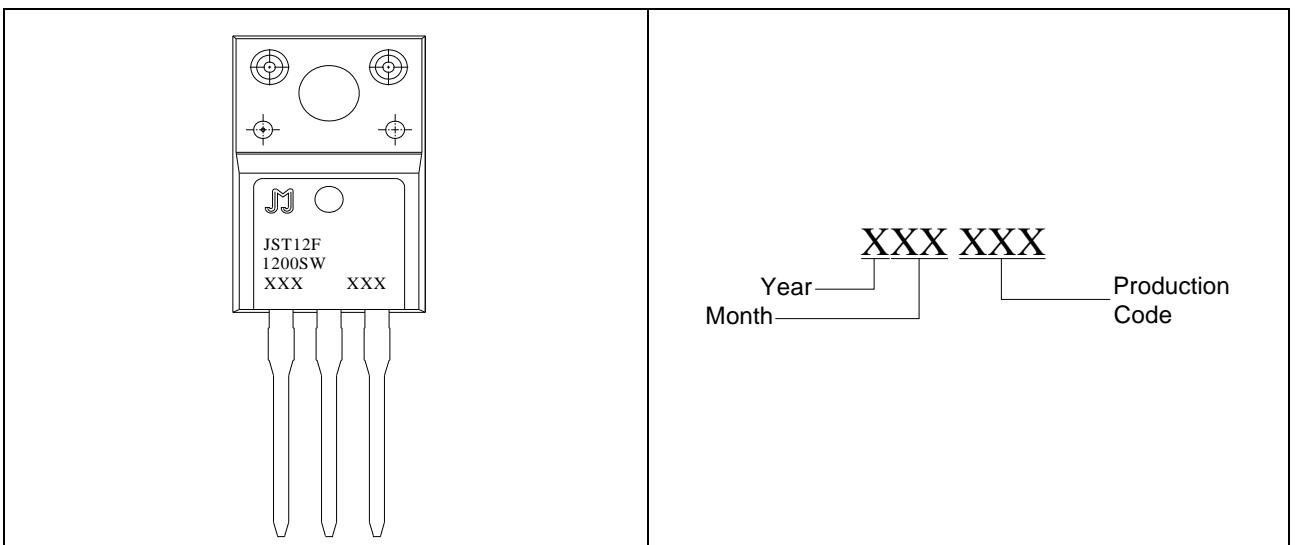
$R_{th(j-c)}$	junction to case (AC)	2.4	/W
$R_{th(j-a)}$	junction to ambient (AC)	60	/W



ORDERING INFORMATION

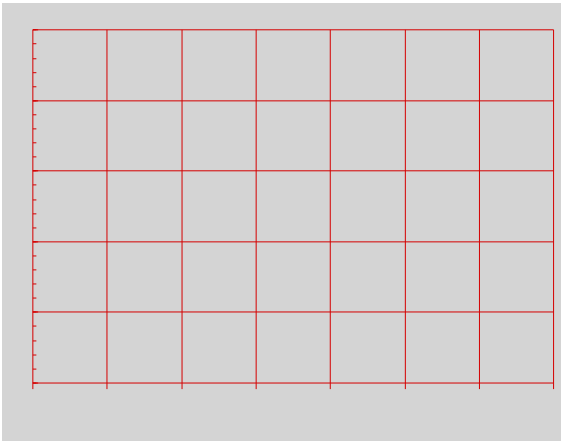
J	ST	12	F	-1200	SW
JieJie Microelectronics Co., Ltd.	Triacs	$I_{T(RMS)}:12A$	F:TO-220F(Ins)	1200:VDRM /VRRM 1200V	SW:IGT1-3 10mA

MARKING





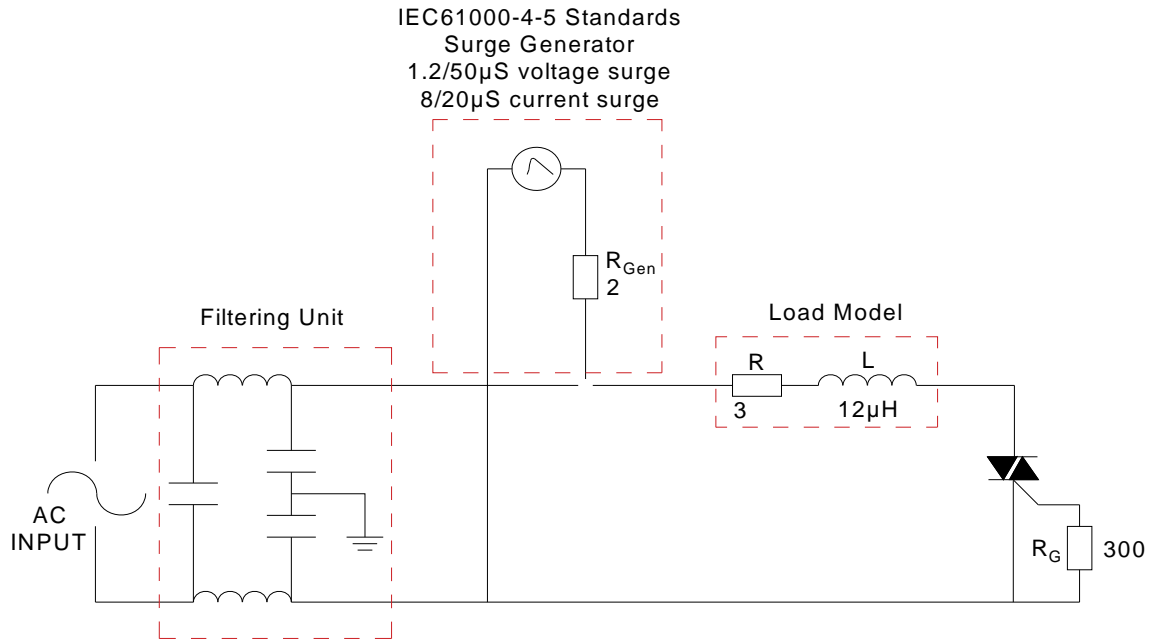
Maximum power dissipation versus RMS
on-state current

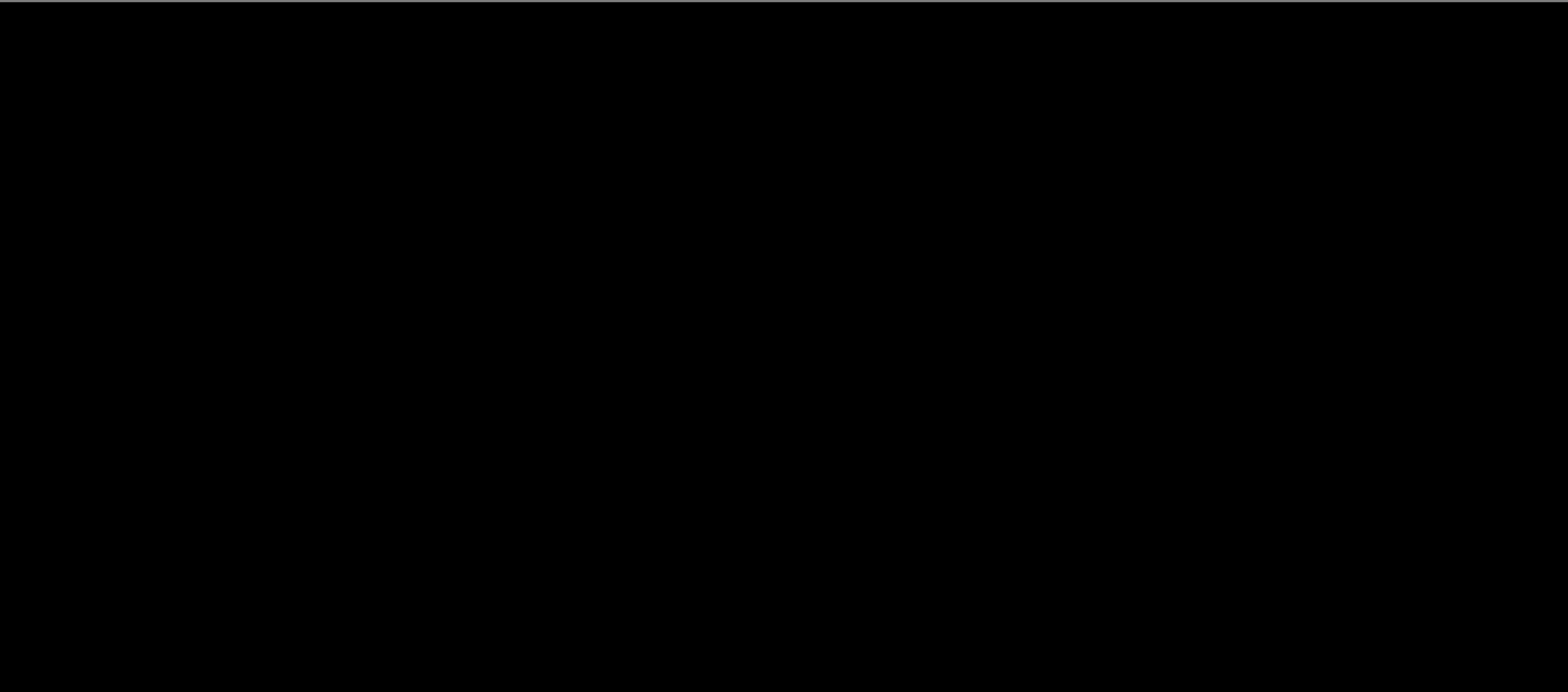


RMS on-state current versus case
temperature



FIG.7 Test circuit for inductive and resistive loads to IEC-61000-4-5 standards







Information furnished in this document is believed to be accurate and reliable. However, Jiangsu JieJie Microelectronics Co., Ltd. assumes no responsibility for the consequences of use without consideration for such information nor use beyond it. Information mentioned in this document is subject to change without notice, apart from that when an agreement is signed, Jiangsu JieJie complies with the agreement.

Products and information provided in this document have no infringement of patents. Jiangsu JieJie assumes no responsibility for any infringement of other rights of third parties which may result from the use of such products and information. This document supersedes and replaces all information previously supplied.



is a registered trademark of Jiangsu JieJie Microelectronics Co., Ltd.

Copyright © 2025 Jiangsu JieJie Microelectronics Co., Ltd. All rights reserved.