



JST10C-800CW 10A TRIAC

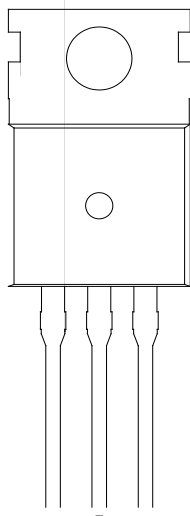
Rev.A.1.1

JST10C-800CW

ORDERING INFORMATION

	J	ST	10	C	-800	CW
JieJie Microelectronics Co., Ltd.		Triacs	$I_{T(RMS)}: 10A$			
			<u>C:TO-220C</u>			<u>CW:IGT1-3 35mA</u>
					<u>800:V_{DRM} /V_{RRM} 800V</u>	

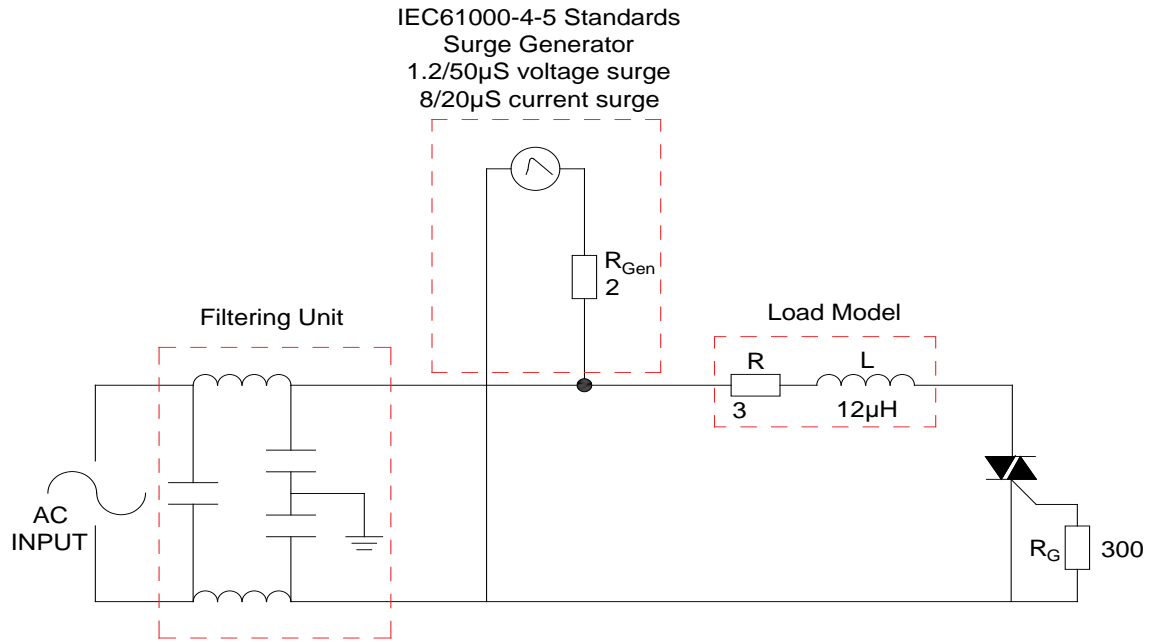
MARKING



JST10C-800CW

JieJie Microelectronics Co., Ltd.

FIG.7 Test circuit for inductive and resistive loads to IEC-61000-4-5 standards



JST10C-800CW

JieJie Microelectronics Co., Ltd.

PACKAGE MECHANICAL DATA



