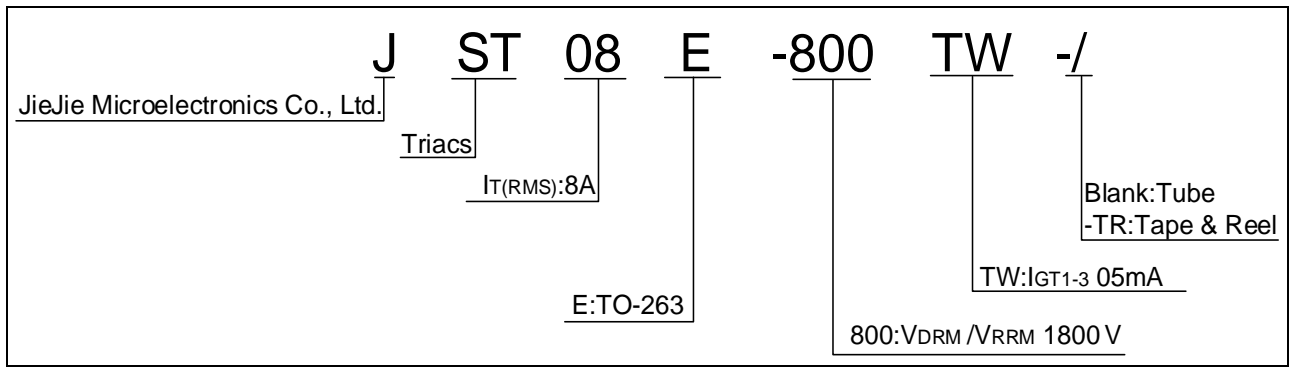


ORDERING INFORMATION



MARKING

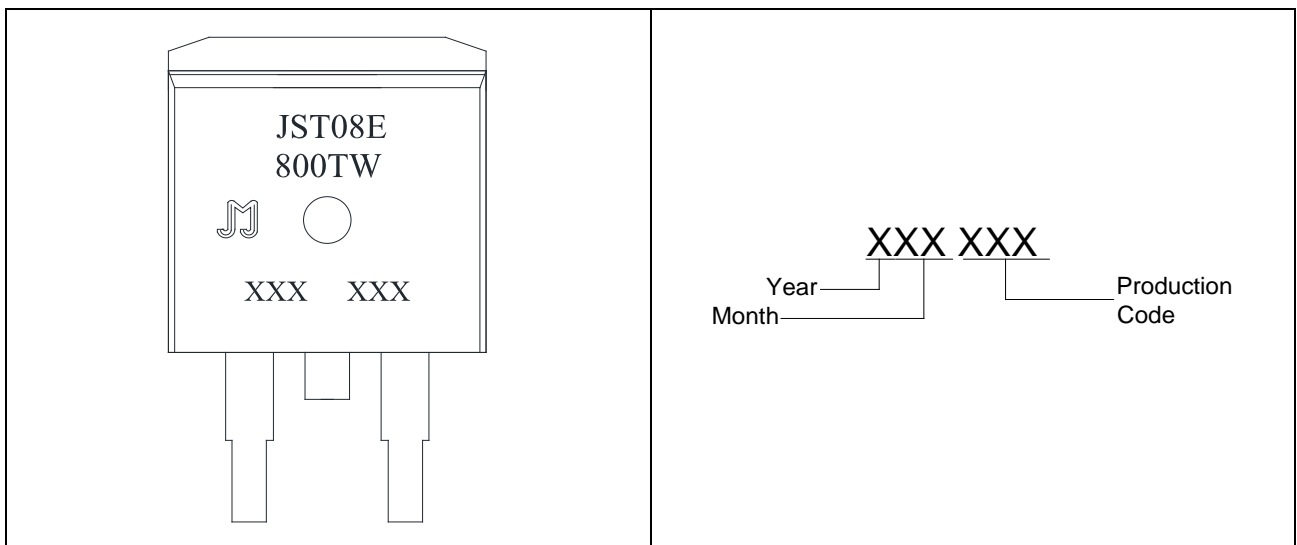


FIG.1: Maximum power dissipation versus RMS on-state current

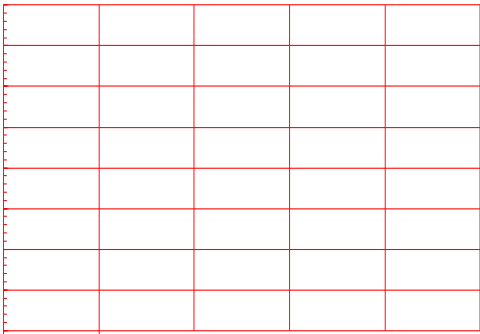


FIG.2: RMS on-state current versus case temperature

FIG.7: Relative variations of gate trigger current,
holding current and latching current versus
junction temperature

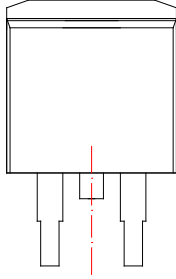
ORDERING INFORMATION

| Order code | Voltage V_{DRM}/V_{RRM} (V) | IGT(mA) | Package | Base qty. (pcs) | Delivery mode |
|-----------------|----------------------------------|---------|---------|--------------------|---------------|
| | | H- I- J | | | |
| JST08E-800TW | 800 | 5 | TO-263 | 50 | Tube |
| JST08E-800TW-TR | | | | 800 | Tape & Reel |

Document Revision History

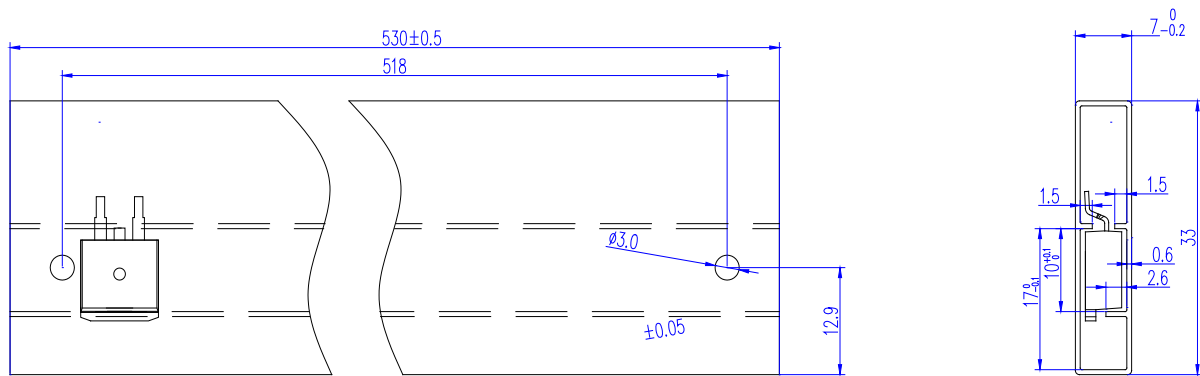
| Date | Revision | Changes |
|--------------|----------|--------------------------------|
| Apr.11, 2023 | A.1.0 | Last updated |
| Oct.17, 2025 | A.1.1 | Revise PACKAGE MECHANICAL DATA |

PACKAGE MECHANICAL DATA



| Ref. | Dimensions | | | | | |
|------|-------------|------|-------|--------|------|-------|
| | Millimeters | | | Inches | | |
| | Min. | Typ. | Max. | Min. | Typ. | Max. |
| A | 9.90 | | 10.20 | 0.390 | | 0.402 |
| B | 14.70 | | 15.80 | 0.579 | | 0.622 |
| C | 9.40 | | 9.60 | 0.370 | | 0.378 |
| D | 2.40 | | | 0.094 | | |
| E | 1.20 | | 1.50 | 0.047 | | 0.059 |
| F | 0.75 | | 0.85 | 0.029 | | 0.033 |
| | | | | | | |
| | | | | | | |
| | | | | | | |
| | | | | | | |

DELIVERY MODE



| PACKAGE | OUTLINE | TUBE (PCS) | INNER BOX (PCS) | PER CARTON |
|---------|---------|------------|-----------------|------------|
| TO-263 | TUBE | 50 | 1,000 | 5,000 263 |

