



JIEJIE MICROELECTRONICS CO., LTD.

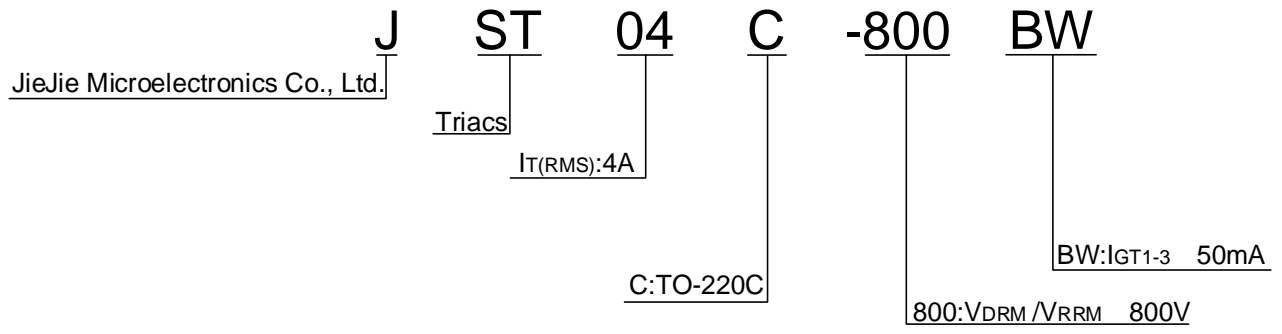
JST04C-800BW 4A TRI[(0)-0.6 (608 -T)-25.4 9(0)-0.6 (3 (613.7 (112]TJ 0 T∅.0T∅.50

Peak pulse voltage ($T_j=25^\circ\text{C}$; non-repetitive, off-state; FIG.7)	V_{pp}	4	kV
--	----------	---	----

ELECTRICAL CHARACTERISTICS (unless otherwise specified)

I_{GT}	$V_D=12\text{V } R_L=33\Omega$	- -	MAX	
----------	--------------------------------	-----	-----	--

ORDERING INFORMATION



ORDERING INFORMATION

Part No.	V _{DRM} /V _{R_{RRM}} (V)	IGT (ms)	Pkg	Bore (mm)	Depth (mm)
		-			
JST04C-800BW	800	50	TO-220C	50	16

Changes

Date	Revision	Changes
Apr.11, 2023	A.1.0	Last updated
Oct.15, 2025	A.1.1	Revise PACKAGE MECHANICAL DATA

PACKAGE MECHANICAL DATA



