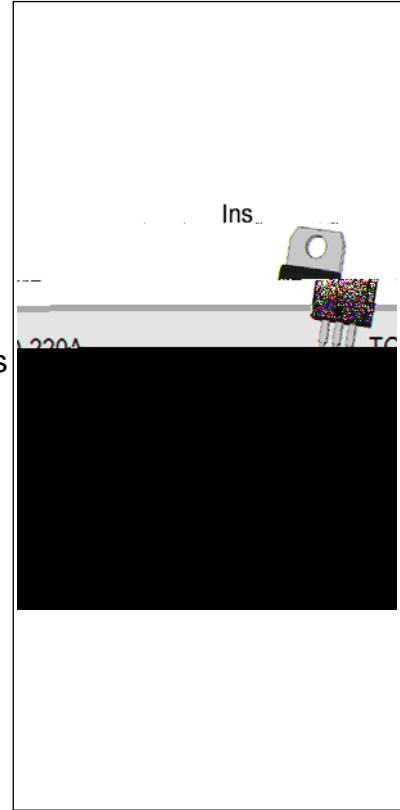




DESCRIPTION:

The JST04A-600CW triac is suitable for general purpose AC switching. It can be used as an ON/OFF function in applications such as heating regulation, induction motor starting circuits, for phase control operation in light dimmers, motor speed controllers. JST04A-600CW snubberless triac is especially recommended for use on inductive loads. By using an internal ceramic pad, JST04A-600CW provides a rated insulation voltage of 2500 VRMS, complying with UL standards (File ref: E252906). Package TO-220A is RoHS compliant.



MAIN FEATURES

	4	A
V _{DRM} /V _{R_{RM}}	600	V
I _{GT} / /	35/35/35	mA

ABSOLUTE MAXIMUM RATINGS

Parameter	Symbol	Value	Unit
Storage junction temperature range	T _{stg}	-40-150	
Operating junction temperature range	T _j	-40-125	
Repetitive peak off-state voltage (T _j =25 °C)	V _{DRM}	600	V
Repetitive peak reverse voltage (T _j =25 °C)	V _{R_{RM}}	600	V
RMS on-state current (T _c 100 °C)	I _{T(RMS)}	4	A
Non repetitive surge peak on-state current (full cycle , t _p =20ms , T _j =25 °C)	I _{TSM}	40	A
Non repetitive surge peak on-state current (full cycle , t _p =16.6ms , T _j =25 °C)		44	
I ² t value for fusing (t _p =10ms , T _j =25 °C)	I ² t	8	A ² s
Critical rate of rise of on-state current (I _G =2x I _{GT} , f=100Hz , T _j =125 °C)	di/dt	80	A / s

Peak gate current I_{GT}(RMS) s ,

JS

ORDERING INFORMATION

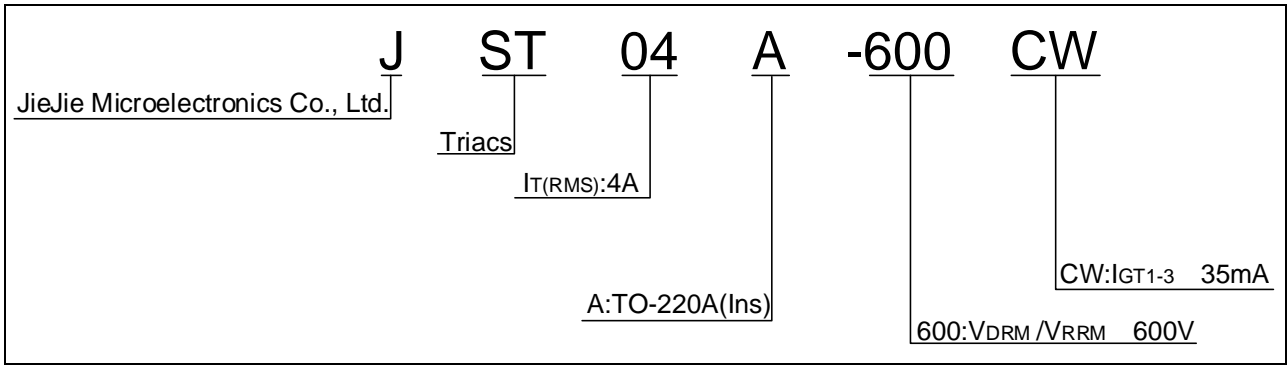
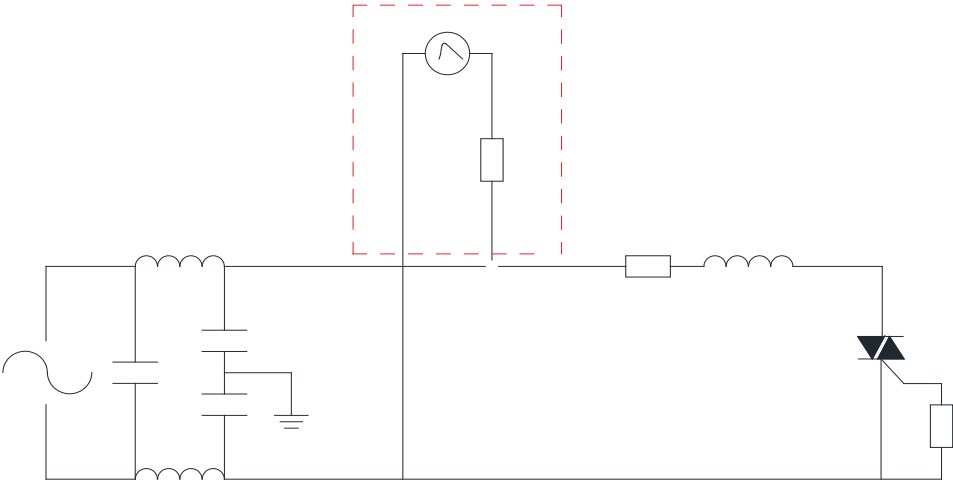


FIG.1: Maximum power dissipation versus RMS on-state current



FIG.2: RMS on-state current versus case temperature (temperature 012345678910012345P (MS))

FIG.7 Test circuit for inductive and resistive loads to IEC-61000-4-5 standards



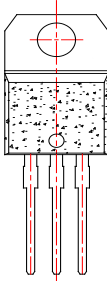
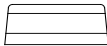
ORDERING INFORMATION

Order code	Voltage V_{DRM}/V_{RRM} (V)	IGT(mA)	Package	Base qty. (pcs)	Delivery mode
		- -			
JST04A-600CW	600	35	TO-220A(Ins)	50	Tube

Document Revision History

Date	Revision	Changes
Apr.11, 2023	A.1.0	Last updated
Oct.11, 2025	A.1.1	Revise PACKAGE MECHANICAL DATA

PACKAGE MECHANICAL DATA



Information furnished in this document is believed to be accurate and reliable. However, Jiangsu JieJie Microelectronics Co., Ltd. assumes no responsibility for the consequences of use without consideration for such information nor use beyond it. Information mentioned in this document is subject to change without notice, apart from that when an agreement is signed, Jiangsu JieJie complies with the agreement.

Products and information provided in this document have no infringement of patents. Jiangsu JieJie assumes no responsibility for any infringement of other rights of third parties which may result from the use of such products and information. This document supersedes and replaces all information previously supplied.



is a registered trademark of Jiangsu JieJie Microelectronics Co., Ltd.

Copyright © 2025 Jiangsu JieJie Microelectronics Co., Ltd. All rights reserved.