

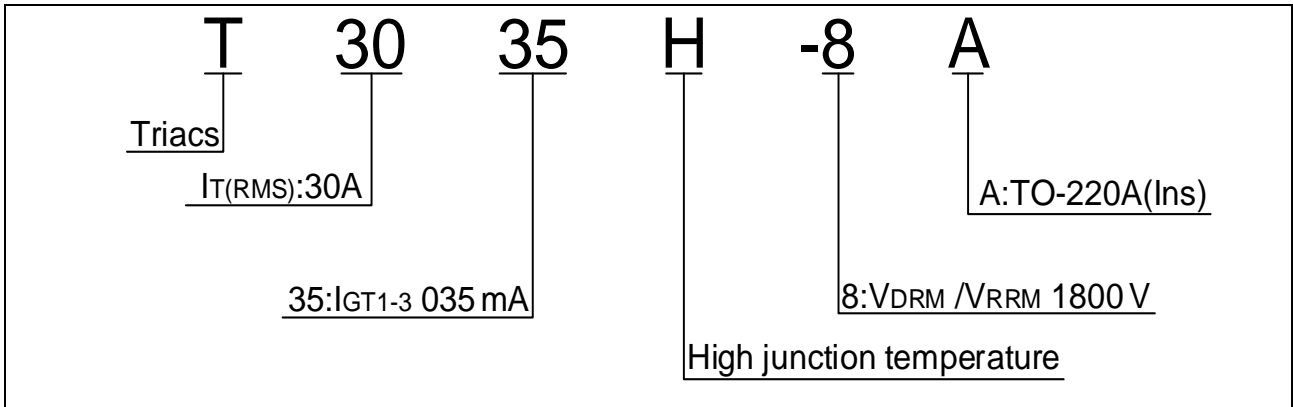
| | | | |
|--|-------------|----|----|
| Average gate power dissipation ($T_j=150$) | $P_{G(AV)}$ | 1 | W |
| Peak gate power | P_{GM} | 10 | W |
| Peak pulse voltage ($T_j=25$; non-repetitive, off-state; FIG.7) | V_{pp} | 1 | kV |

ELECTRICAL CHARACTERISTICS (unless otherwise specified)

| Symbol | Test Condition | Quadrant | Value | | Unit |
|----------|---------------------------------------|----------|-------|------|------|
| I_{GT} | $V_D=12V$ $R_L=33$ | - - | MAX. | 35 | mA |
| V_{GT} | | - - | MAX. | 1.3 | V |
| V_{GD} | $V_D=V_{DRM}$ $T_j=150$ $R_L=3.3k$ | - - | MIN. | 0.15 | V |

I_L $I_G=1.2I_{GT}$

ORDERING INFORMATION



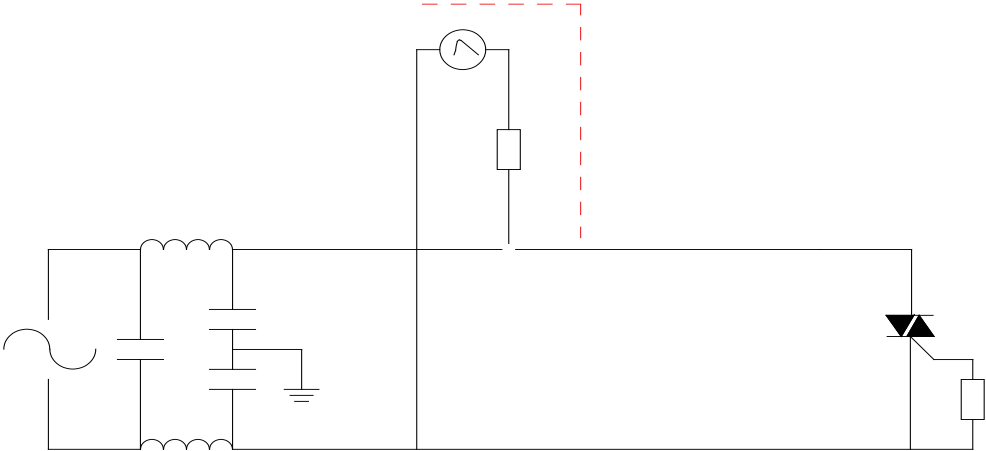
MARKING

FIG.1: Maximum power dissipation versus RMS on-state current



FIG.2: RMS on-state current versus case temperature

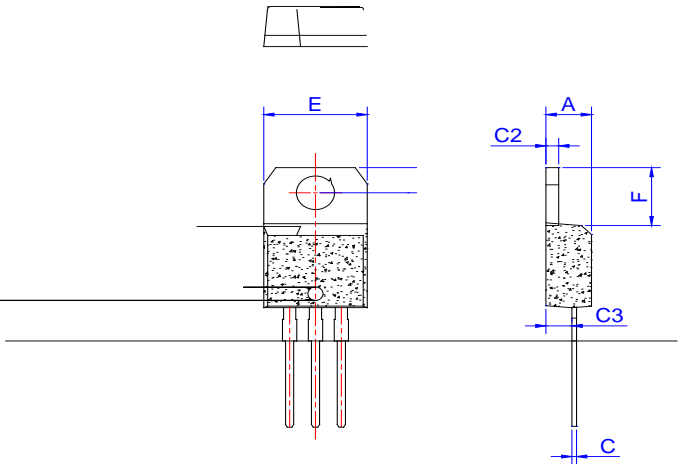
FIG.7 ÖTest circuit for inductive and resistive loads to IEC-61000-4-5 standards



ORDERING INFORMATION

| Order code | Voltage V_{DRM}/V_{RRM} (V) | IGT(mA) | Package | Base qty. (pcs) | |
|------------|----------------------------------|---------|---------|--------------------|--|
|------------|----------------------------------|---------|---------|--------------------|--|

PACKAGE MECHANICAL DATA



T3035H-8A

JieJie MoL04 Tc 0 1 TfC2_5.96 0 w 1.394