

- , ( - , ( 0 , & 5 2 ( / ( & 7 5 2 1 , & 6 & 2 / 7

7 + + \$ 7 5 , \$ &

5HY \$

^ Z / W d / K E W

7KH 7 + + WULDF LV VXLWDEOH IRU JHQHUDO SXUSRVH \$  
VZLWFKLQJ , W F D Q E H X ) \ H Q F W L R Q L Q  
DSSOLFDWLRQV V H F K O D W K R Q W L Q G X F W L R Q P R W R U  
VWDUWLQJ FLUFXLWV IRU SKDVH FRQWURO RSHUDWLRQ LG  
PRWRU VSHHG FRQWUROOHUV & RPSDUHG WR WUDGLWLRQD  
7 + + SURYLGHV K D V Z H W F K L Q J F D S D E L O L W \ X S W R  
M X Q F W L R Q W H P S H U D W X U H V R I f & ) U R P 7 W H U P L Q D O V W  
H [ W H U Q D O K H D W 7 2 L Q N L 3 D 5 F R H 6 J F R P S O L D Q W

D / E & d h Z ^

^ K > h d D y / D h D Z d / E ' ^

|   |           |       |           |
|---|-----------|-------|-----------|
| 3DUDPHWHU                                   | 6\PERO    | 9DOXH |           |
| 6WRUDJH MXS F W L R Q U W H P D Q J H v w j |           | 7     |           |
| 2SHUDWLQJ W H F K O D W K R Q W L Q G X U H | U D Q J H | 7     | F € V @ U |

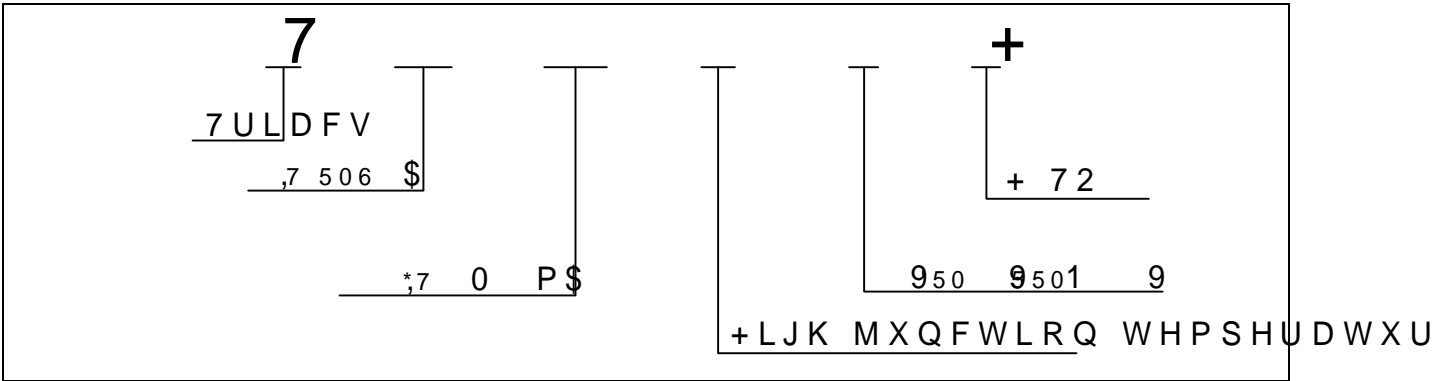
8QL



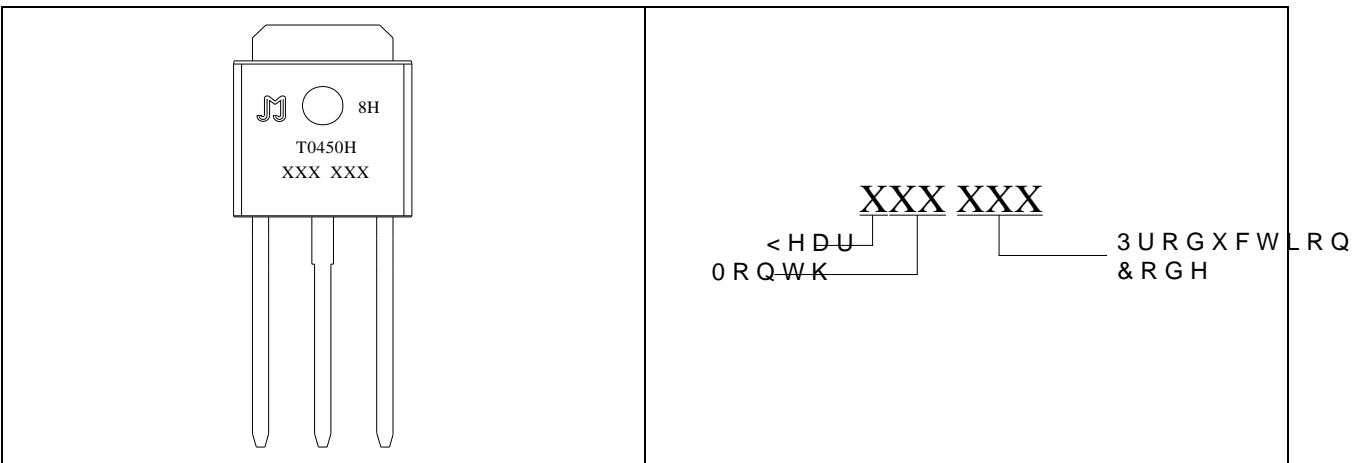
7 + +

-LH-LH 0LFURHOHFWURQL

KZ Z/E' /E&KZD d/KE

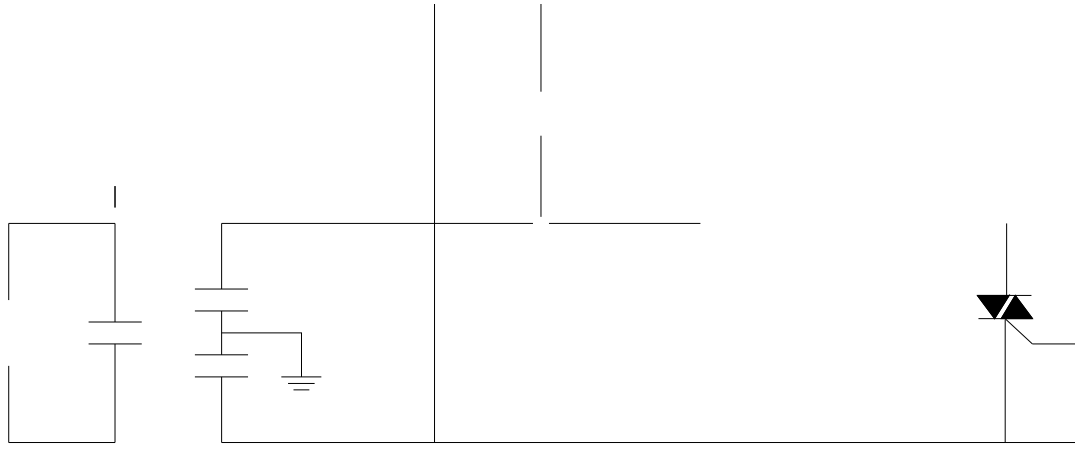


D Z</E'





),\* Ö7HVW FLUFXLW IRU LQGXFWLYH DQG UMDQGDUGW OF



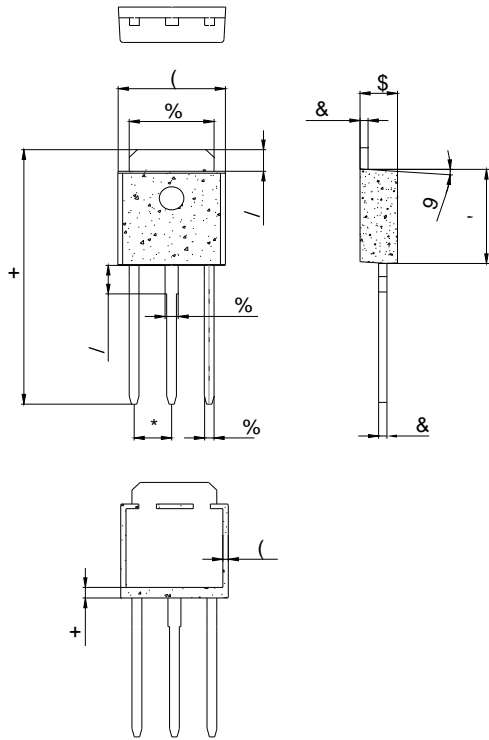
7 + +

-LH-LH 0LFURHOHFWURQL

KZ Z/E' /E&KZD d/KE

|          |                      |         |                  |
|----------|----------------------|---------|------------------|
| 2UGHU FR | 9ROWD<br>9.50 9.50 9 | ,*7 P\$ | 3DFNDJH %DVH TW\ |
|----------|----------------------|---------|------------------|

W < ' D , E / > d



| 5 HI | 'LPHQVLRQV  |      |     |        |      |     |
|------|-------------|------|-----|--------|------|-----|
|      | 0LOOLPHWHUV |      |     | ,QFKHV |      |     |
|      | 0LQ         | 7\ S | 0D[ | 0LQ    | 7\ S | 0D[ |
| \$   |             |      |     |        |      |     |
| \$   |             |      |     |        |      |     |
| %    |             |      |     |        |      |     |
| %    |             |      |     |        |      |     |
| %    |             |      |     |        |      |     |
| &    |             |      |     |        |      |     |
| &    |             |      |     |        |      |     |
| ,    |             |      |     |        |      |     |
| (    |             |      |     |        |      |     |
| (    |             |      |     |        |      |     |
| *    |             |      |     |        |      |     |
| +    |             |      |     |        |      |     |
| +    |             |      |     |        |      |     |
| /    |             |      |     |        |      |     |
|      |             |      |     |        |      |     |

,QIRUPDWLRQ IXUQXFKHQW ILQ WKOLHGRHG WR EH DFFXUDWH D  
 -LDQJVX -LH-LH 0LRRHOWHG WDJROLFWVQLRWUHRUSRQHLERQVHT  
 \* PLWQVFKYXUFAOXWBPCHGZH[LDWLRQ IXUQCLV IXUR EfA3D p