



JR0205Q 2A SCR

Rev.A.1.0

DESCRIPTION:

The JR0205Q SCR with the parallel resistor between Gate and Cathode, $R_{GK}=10\sim 80k$ is especially recommended for use on straight hair, igniter, anion generator, etc. Package TO-126 is RoHS compliant.

MAIN FEATURES

| Symbol | Value | Unit |
|-------------------|-------|---------|
| $I_{T(RMS)}$ | 2 | A |
| V_{DRM}/V_{RRM} | 600 | V |
| I_{GT} | 200 | μA |

ABSOLUTE MAXIMUM RATINGS

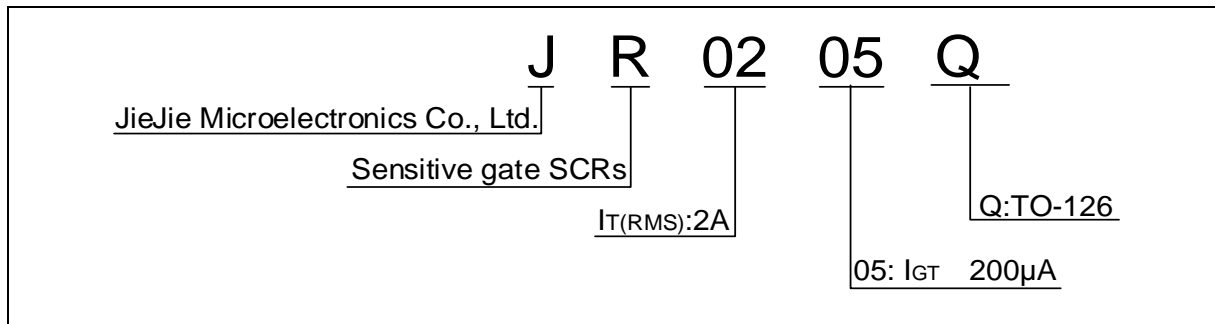
| Parameter | Symbol | Value | Unit |
|--------------------------------------|-----------|---------|------|
| Storage junction temperature range | T_{stg} | -40-150 | |
| Operating junction temperature range | T_j | -40-125 | |

jSt(tanq2 1202 T34Tf (8.04 355-Tj 0 T

JR0205Q

JieJie Microelectronics

ORDERING INFORMATION



MARKING

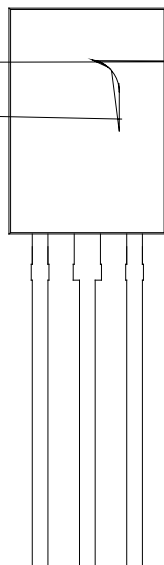


FIG.1: Maximum power dissipation versus RMS on-state current

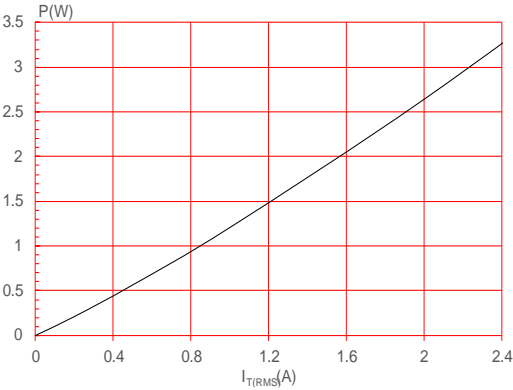


FIG.2: RMS on-state current versus case temperature

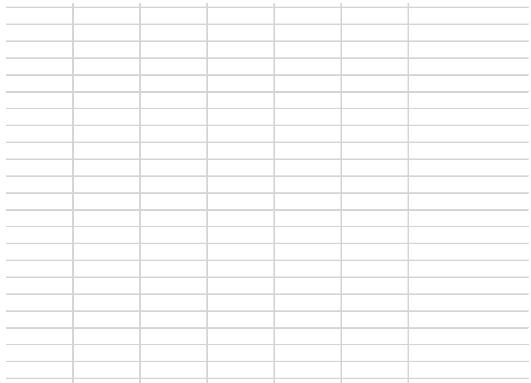
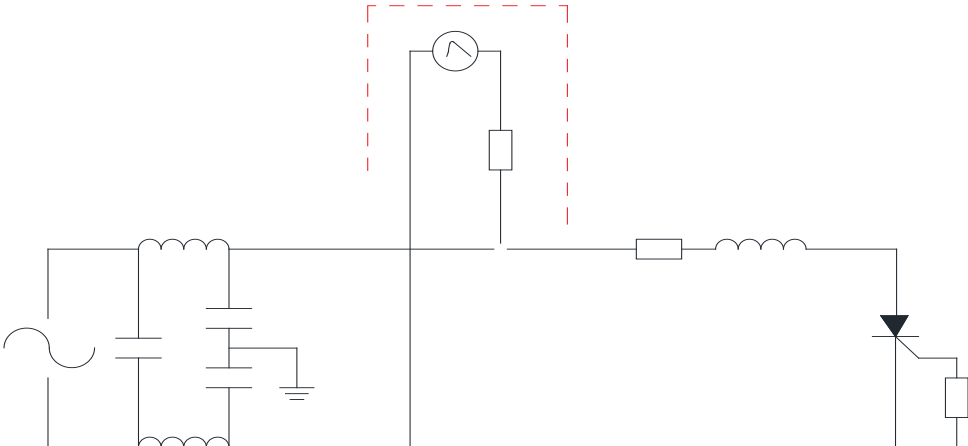


FIG.7 Test circuit for inductive and resistive loads to IEC-61000-4-5 standards



JR0205Q

Information furnished in this document is believed to be accurate and reliable.
However, Jiangsu JieJie Microelectronics Co., Ltd.