

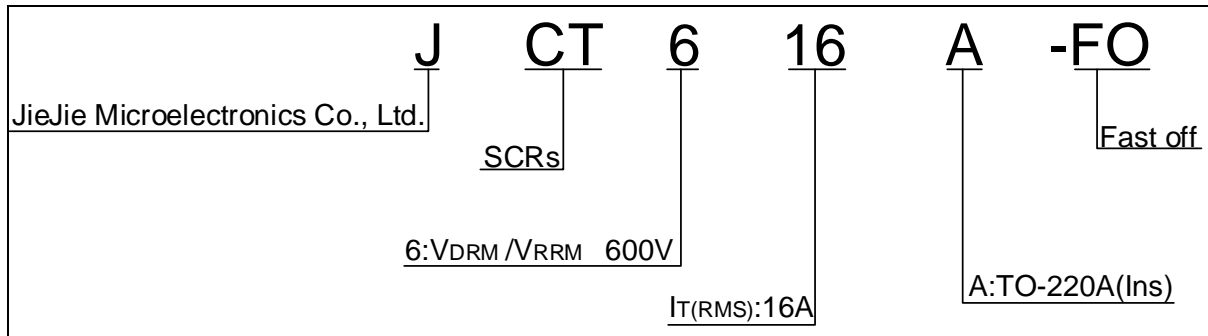
JIEJIE MICROELECTRONICS CO., LTD.

TEL +86 513 83639777

Average gate power dissipation	$P_{G(AV)}$	1	W
Peak gate power	P_{GM}	5	W
Peak pulse voltage ($T_j=25^\circ\text{C}$; non-repetitive, off-state; FIG. 7)	V_{pp}	0.7	kV

ELECTRICAL CHARACTERISTICS (unless otherwise specified)					
Symbol	Test Condition	Value			Unit
		MIN.	TYP.	MAX.	
I_{GT}	$V_D=12V R_L=33\Omega$	3	-	6	mA
V_{GT}		-	-	1.3	V
V_{GD}	$V_D=V_{DRM}$				

ORDERING INFORMATION



MARKING

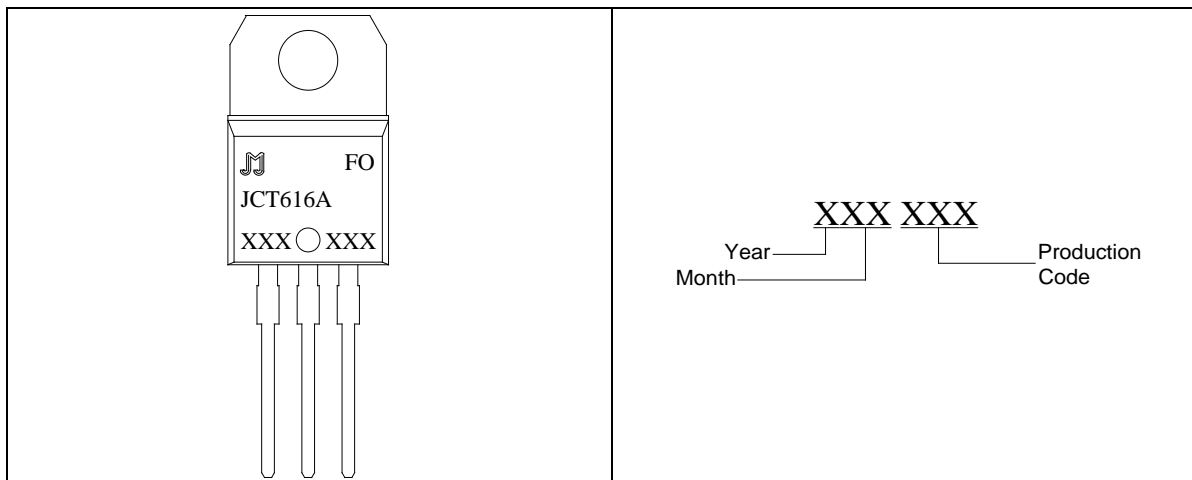
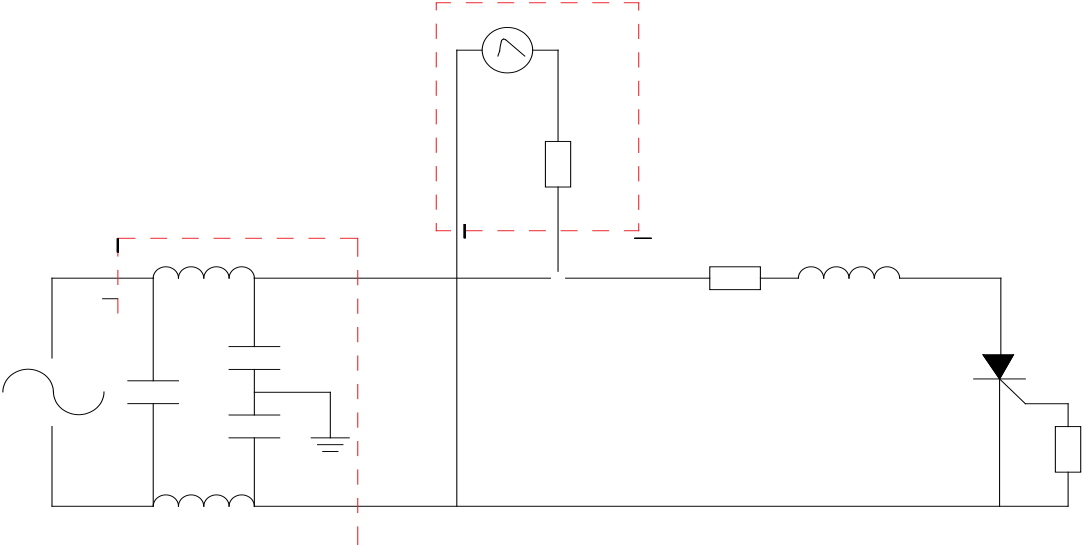


FIG.1

FIG.7 Test circuit for inductive and resistive loads to IEC-61000-4-5 standards



JCT616A-FO

JieJie M