



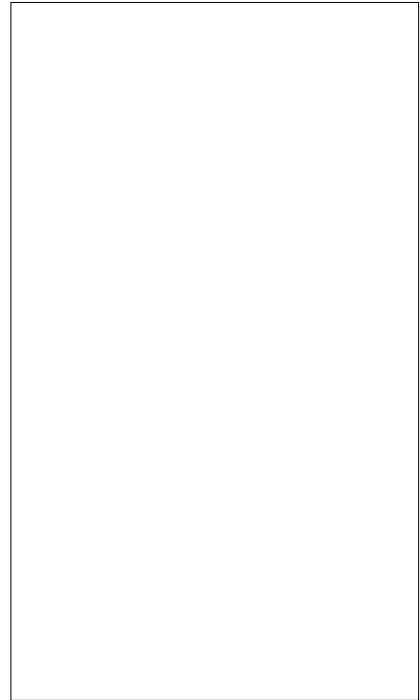
# JIEJIE MICROELECTRONICS CO., LTD.

---

JCT1612K 12A SCR

Rev.A.1.1

DESCRIPTION: e r48(S0 Tc 0 Tw 4 0 T6.735 ( )Tj 0.222/P <<



**2CT161212121**

**JCT1612K**

 **JieJie Microelectronics Co., Ltd.**

---

ORDERING INFORMATION

J CT 16 1269

**JCT1612K**





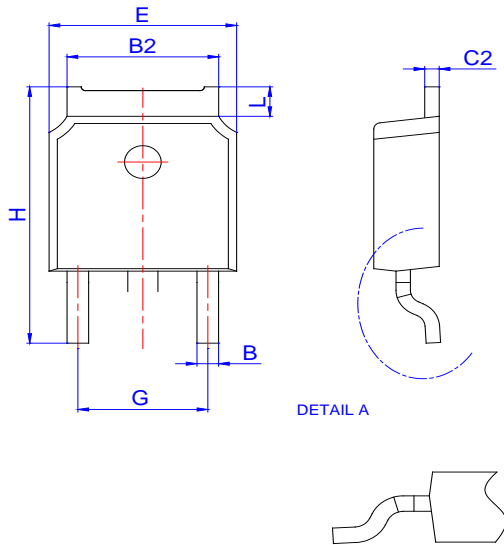
**ORDERING INFORMATION**

| <b>Order code</b>  | <b>Voltage<br/><math>V_{DRM}/V_{RRM}</math> (V)</b> | <b>IGT(mA)</b> | <b>Package</b> | <b>Base qty.<br/>(pcs)</b> | <b>Delivery<br/>mode</b> |
|--------------------|---|----------------|----------------|----------------------------|--------------------------|
| <b>JCT1612K</b>    | <b>1600</b>   | <b>15</b>      | <b>TO-252</b>  | <b>80</b>                  | <b>Tube</b>              |
| <b>JCT1612K-TR</b> |   |                |                | <b>2,500</b>               | <b>Tape &amp; Reel</b>   |

**Document Revision History**

| <b>Date</b>  | <b>Revision</b> | <b>Changes</b>                 |
|--------------|-----------------|--------------------------------|
| Aug.10, 2023 | A.1.0           | Last update                    |
| Oct.21, 2025 | A.1.1           | Revise PACKAGE MECHANICAL DATA |

PACKAGE MECHANICAL DATA



| Ref. | Dimensions  |      |      |        |      |       |
|------|-------------|------|------|--------|------|-------|
|      | Millimeters |      |      | Inches |      |       |
|      | Min.        | Typ. | Max. | Min.   | Typ. | Max.  |
| A    | 2.10        |      | 2.50 | 0.083  |      | 0.098 |
| A2   | 0           |      | 0.15 | 0      |      | 0.006 |
| B    | 0.66        |      | 0.86 | 0.026  |      | 0.034 |
| B2   | 5.18        |      | 5.48 | 0.202  |      | 0.216 |
| C    | 0.40        |      | 0.60 | 0.016  |      | 0.024 |
| C2   | 0.44        |      | 0.58 | 0.017  |      | 0.023 |
| D    | 5.90        |      | 6.30 | 0.232  |      | 0.248 |
| D1   |             |      |      |        |      |       |
| E    | 6.40        |      | 6.80 | 0.252  |      | 0.268 |
| E1   | 4.63        |      |      | 0.182  |      |       |
| G    | 4.47        |      | 4.67 | 0.176  |      | 0.184 |
| G1   | 2.18        |      | 2.38 | 0.086  |      | 0.094 |
| L    | 1.09        |      | 1.21 | 0.043  |      | 0.048 |
| L2   | 1.35        |      | 1.65 | 0.053  |      | 0.065 |



Microelectronics Co., Ltd.

gs 26.829 ( )13.7 ( 6 Tm 97 /InlineSha2.5

