



①

2 A B

DESCRIPTION:

②

③

④

⑤

⑥ ⑦

⑧

⑨

⑩ E ⑪ ⑫ ⑬

⑭ ⑮

⑯ ⑰

MAIN FEATURES

ABSOLUTE MAXIMUM RATINGS

⑰	⑱	⑲	⑳
⑳	㉑	㉒	㉓

V_{CE}	(I_{CE})	P_{CE}	1	W
V_{CE}		P_{CM}	0	W
V_{CE}	(I_{CE})	V_p	0	V

ELECTRICAL CHARACTERISTICS

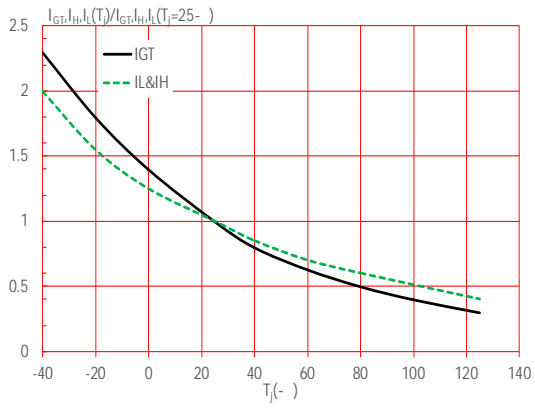
Symbol	Description	Unit			Min
		M	P	MI	
I_{CE}	$V_{CE} = 10V$	-	-	5	mA
V_{CE}		-	-	1	V
V_{CE}	$V_{CE} = 10V, I_{CE} = 10mA, R_{L} = 1k$	0	-	-	V
I_{L}	$I_{CE} = 20mA$	-	-	0	mA
I_{H}	$I_{CE} = 10mA$	-	-	0	mA
V_{CE}	$V_{CE} = 10V, I_{CE} = 10mA$	80	-	-	V
t_{on}	$I_{CE} = 10mA, I_{A} = 10mA, I_{R} = 10mA$	-	3	-	s
t_{off}		$T_{j} = 25^{\circ}C$	-	0	

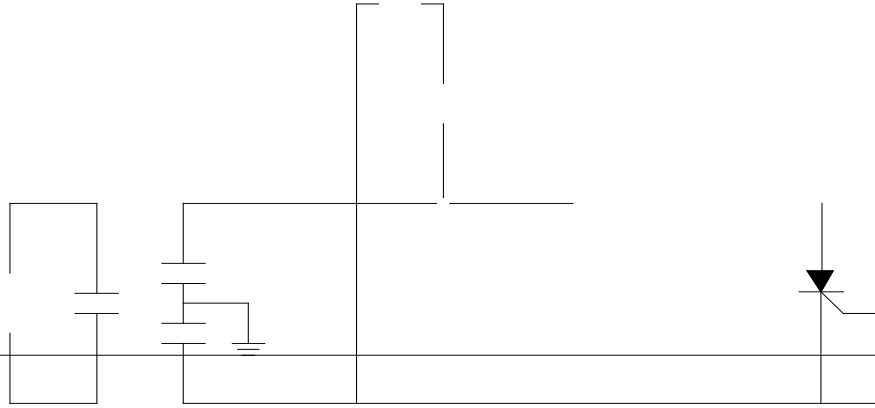
STATIC CHARACTERISTICS

Symbol	Description	Unit	Min	Max
V_{CE}	$I_{CE} = 10mA, t_p = 0.1s, T_{j} = 25^{\circ}C$	V	1.6	-
V_{CE}	$T_{j} = 25^{\circ}C$	V	0	-
R_D	$T_{j} = 25^{\circ}C$	P	2	-
I_{CE}	$V_{CE} = 10V, V_{RE} = 10V, R_{MI}$	A	5	-
I_{CE}		$T_{j} = 25^{\circ}C$	mA	0.2

THERMAL RESISTANCES

Symbol	Description	Unit	Min	Max
$R_{\theta j-c}$	$R_{\theta j-c}$	W	1.3	-
$R_{\theta j-a}$	$R_{\theta j-a}$	W	0	-





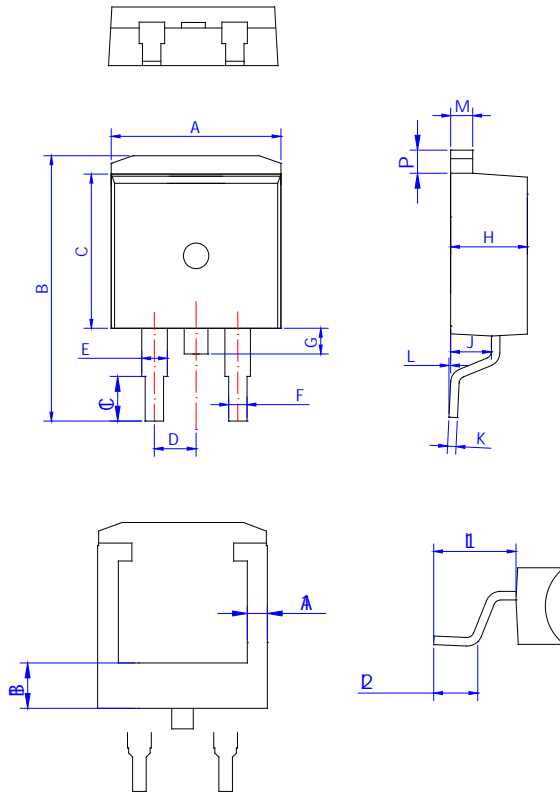
ORDERING INFORMATION

0	V _{BI} V _{RI} V	G An)	0	0	0
0 0 E 0	0	0	0 2 8	0	0
0 -0 -R				80	0

0 0

0	0	0
0 .0	A 10	0
0	A 1.1	R0 0

PACKAGE MECHANICAL DATA



R	B					
	M			b		
	M	̄	M	M	̄	M
A	0		0	00		0
B	0		0	0		0
C	0		0	0		0
D	0		0	0		0
E	0		0	0		0
F	0		0	0		0
G						
H						
J						
K						

11
12
13
14
15
16
17
18
19
20
21
22
23
24
25
26
27
28
29
30
31
32
33
34
35
36
37
38
39
40
41
42
43
44
45
46
47
48
49
50
51
52
53
54
55
56
57
58
59
60
61
62
63
64
65
66
67
68
69
70
71
72
73
74
75
76
77
78
79
80
81
82
83
84
85
86
87
88
89
90
91
92
93
94
95
96
97
98
99
100

11



0 5 1