



JCT1275SJ 75A SCR

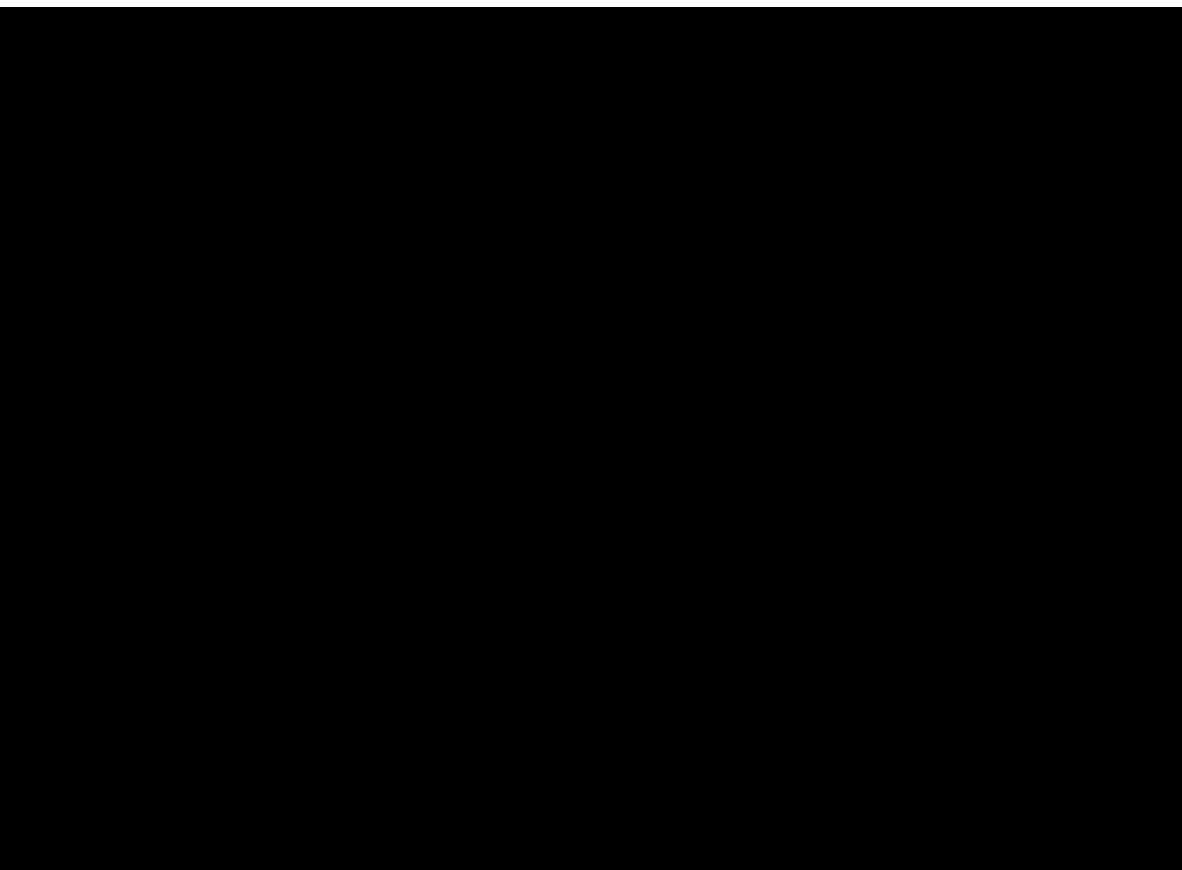
Rev A.2.1

DESCRIPTION:

~~www~~
~~gic~~ ~~z~~ ~~s~~ ~~q~~ ~~s~~ ~~y~~ ~~d~~
~~gic~~
~~is~~ ~~ph~~
~~gic~~ ~~,s~~ ~~q~~
~~g~~ ~~-te~~ ~~g~~ ~~0~~ ~~-z~~ ~~s~~
~~q~~

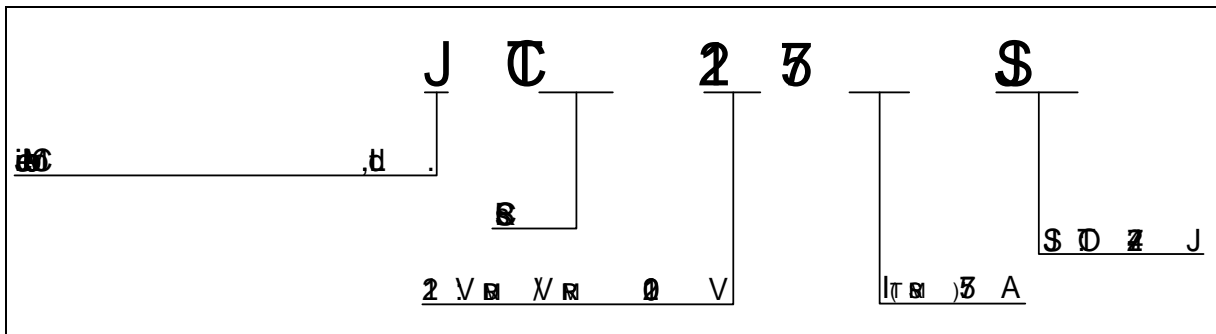
MAINFEATURES

I_T	I_V	I_H
I_{RM}	I_{SM}	A
V_{RM} / V_{SM}	V_{SM}	V
I_G	θ θ	θ



$\frac{1}{\omega C}$ $\frac{1}{\omega C}$ $\frac{1}{\omega C}$ $\frac{1}{\omega C}$	$j\omega L$	P_{in}	1	W
$\frac{1}{\omega C}$	$\frac{1}{\omega C}$	P_{out}	2	W
$\frac{1}{\omega C}$	$\frac{1}{\omega C}$	V_p	1	V

ORDERING INFORMATION



MARKING

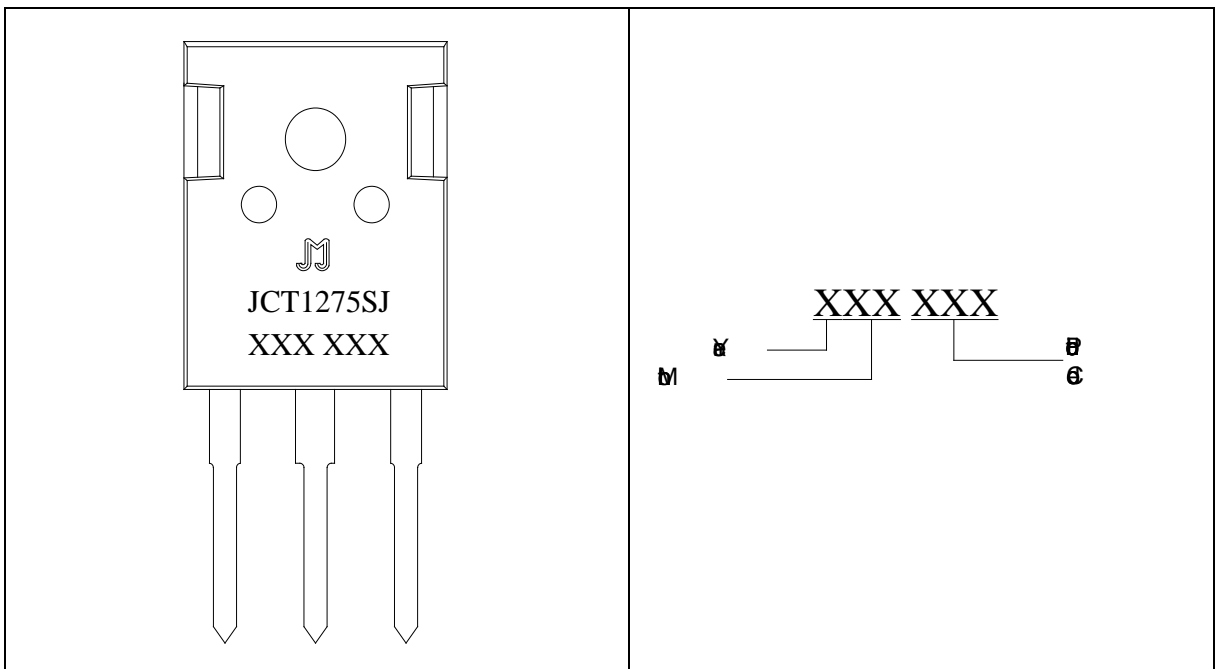


FIG.1: η vs $I_{T(RMS)}$

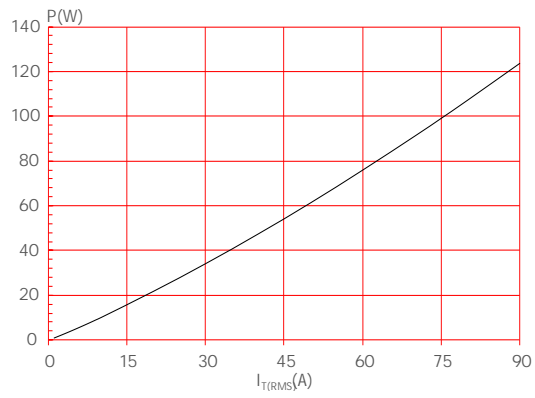


FIG.2: η vs $I_{T(RMS)}$

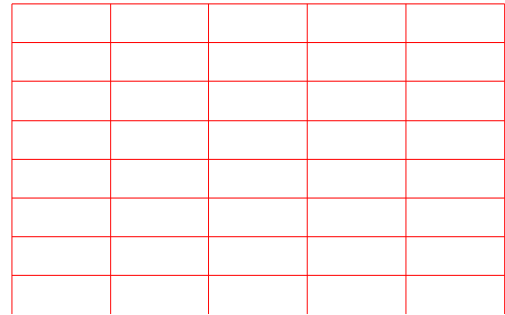
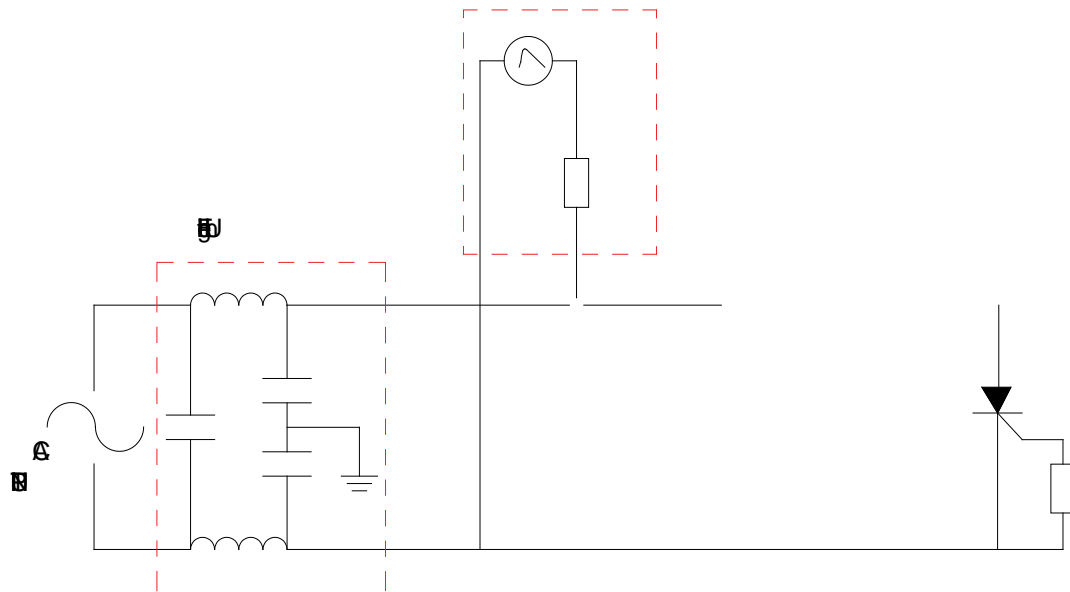


FIG.7

-0

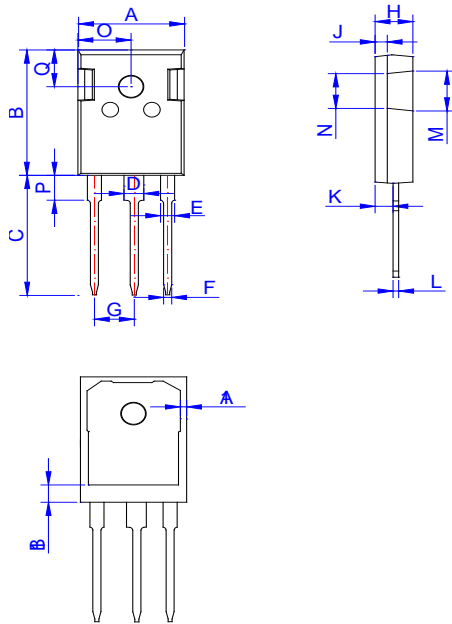
51



ORDERING INFORMATION



PACKAGE MECHANICAL DATA



R	D					
	M			b		
	M	φ	M	M	φ	M
A	0		0	0		0
B	0		0	0		0
C	0		0	0		0
D	0		0	0		0
E	0		0	0		0
F	0		0	0		0
G		0			0	
H	0		0	0		0
J	0		0	0		0
K	0		0	0		0
L	0		0	0		0
M						
N	3					

