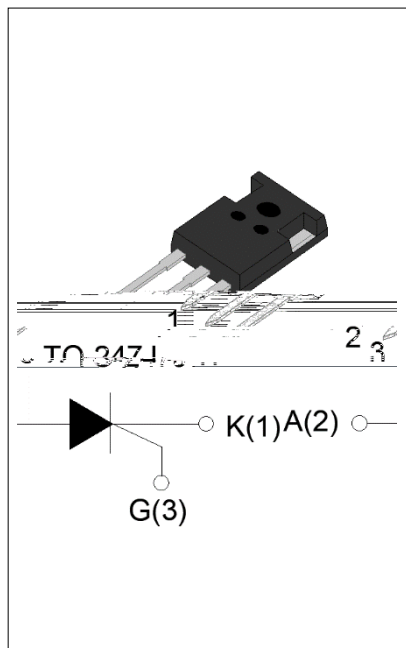




DESCRIPTION:

TO-18 package
 1240S B p G /d
 t s p
 -247J



MAIN FEATURES

$I_{T(A)}$	40	A
V_{RM} / V_{RM}	1200	V
I_G	45	A

ABSOLUTE MAXIMUM RATINGS

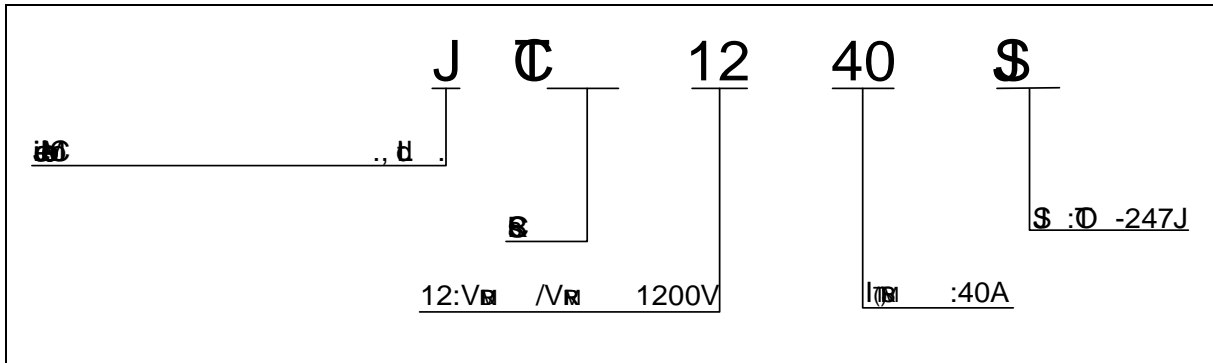
Parameter	Symbol	Value	Unit
Storage Temperature	T_S	-40-150	
Junction Temperature	T_j	-40-125	
Reverse Voltage ($T_j \geq 25^\circ C$)	V_{RM}	1200	V
Forward Voltage ($T_j \geq 25^\circ C$)	V_{FM}	1200	V
Forward Current ($T_j = 78^\circ C$)	$I_{T(A)}$	25	A
Forward Current ($T_j = 78^\circ C$)	$I_{T(A)}$	40	A
Non-repetitive Forward Current ($t_p \leq 40 \mu s, T_j \geq 25^\circ C$)	$I_{T(A)}$	500	A
Non-repetitive Forward Current ($t_p = 8.3 \mu s, T_j \geq 25^\circ C$)		540	
Forward Surge Current ($t_p \leq 10 ms, T_j \geq 25^\circ C$)	$I^2 t$	1250	$A^2 s$
Forward Surge Current ($I_{G2} \times I_G, t_p \leq 100 \mu s, T_j \geq 25^\circ C$)	$I_{T(A)}$	200	A s
Forward Surge Current ($t_p \leq 20 \mu s, T_j \geq 25^\circ C$)	$I_{G(A)}$	10	A
Power Dissipation ($T_j \geq 25^\circ C$)	P_{GM}	1	W

P_{tot}	P_{tot}	20	W
$V_{(T_j=25^\circ C; I_D=100\mu A; f=1kHz)}$	V_p	0.7	V

ELECTRICAL CHARACTERISTICS

Symbol	Test Condition	Value			Unit
		MIN.	TYP.	MAX.	
I_C	$V_D=2V, L=33\mu H$	-	-	45	mA

ORDERING INFORMATION



MARKING

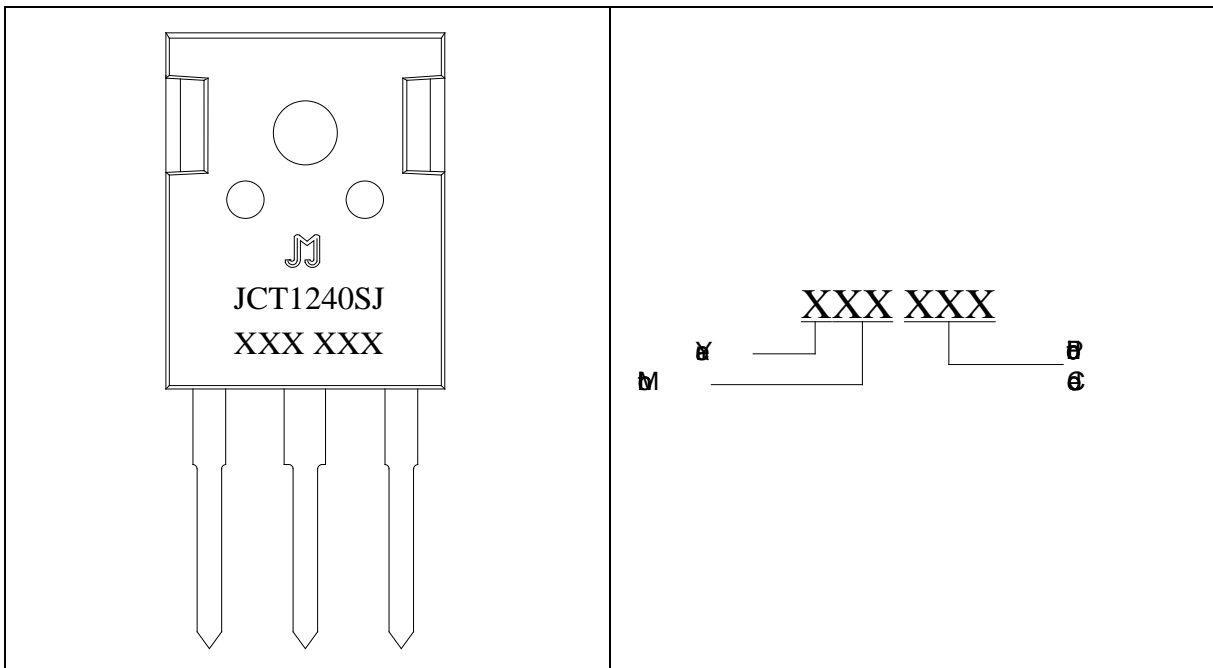


FIG.1:  
 - 

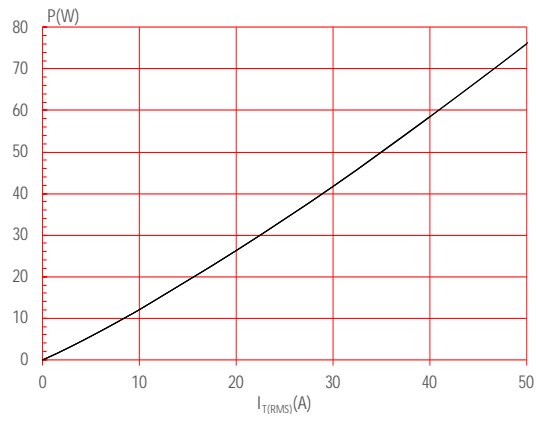
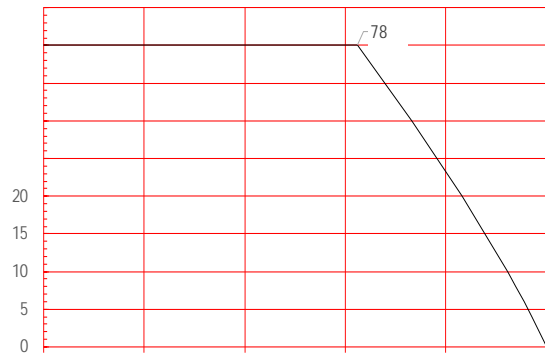


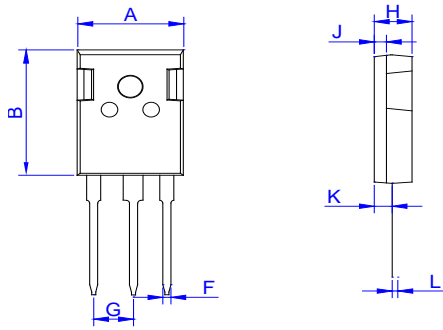
FIG.2:  - 

ORDERING INFORMATION

Order code	Voltage V_{DRM}/V_{RRM} (V)	IGT(
------------	----------------------------------	------

PACKAGE MECHANICAL DATA



R	D					
	M			b		
	M	\bar{p}	M	M	\bar{p}	M
A	15.50		16.10	0.610		0.634
B	3.10		3.50	0.122		0.138
C	19.70		20.30	0.776		0.799
D	2.90		3.30	0.114		0.130
E	1.90		2.30	0.075		0.091
F	1.00		1.40	0.039		0.055
G		5.44			0.214	

H	4.80	5.20	0.189	0.205
J	1.90	2.10	0.075	0.083
K	2.20	2.50	0.087	0.098
L	0.41	0.79	0.016	0.031

