

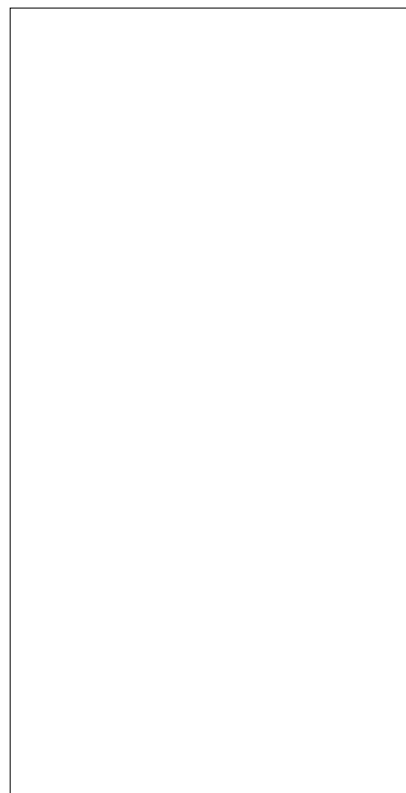


## JCT1240A 40A SCR

Rev.A.1.1

### DESCRIPTION:

With high ability to withstand the shock loading of large current, JCT1240A SCR provides high dV/dt rate with strong resistance to electromagnetic interference. It is especially recommended for use on solid state relay, motorcycle, power charger, T-tools etc. From all three terminals to external heatsink, JCT1240A provides a rated insulation voltage of 2500 V<sub>RMS</sub>, complying with UL standards (File ref: E252906). Package TO-220A is RoHS compliant.



### MAIN FEATURES

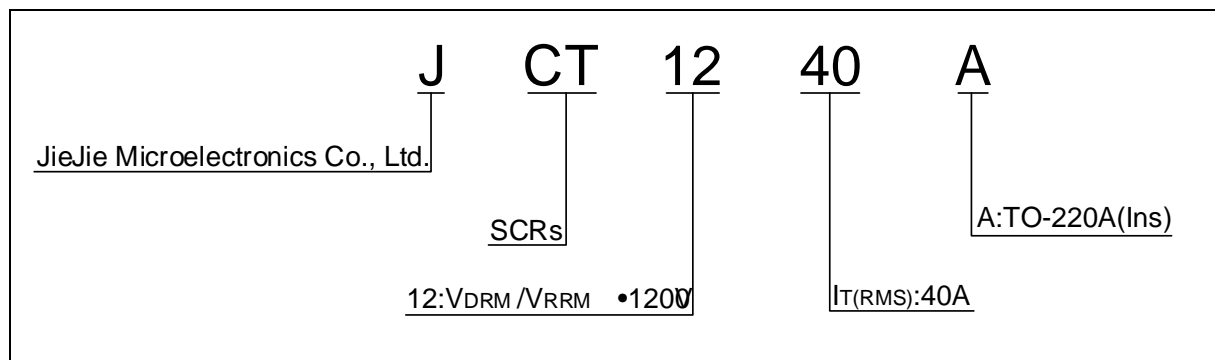
### ABSOLUTE MAXIMUM RATINGS

Parameter	Symbol	Value	Unit
Storage junction temperature range	T <sub>stg</sub>	-40-150	
Operating junction temperature range	T <sub>j</sub>	-40-125	
Repetitive peak off-state voltage (T <sub>j</sub> =25 °C)	V <sub>DRM</sub>	1200	V
Repetitive peak reverse voltage (T <sub>j</sub> =25 °C)	V <sub>RRM</sub>	1200	V
Average on-state current (T <sub>c</sub> 71 °C)	I <sub>T(AV)</sub>	25	A
RMS on-state current (T <sub>c</sub> 71 °C)	I <sub>T(RMS)</sub>	40	A
Non repetitive surge peak on-state current (t <sub>p</sub> =10ms, T <sub>j</sub> =25 °C)	I <sub>TSM</sub>	500	A
Non repetitive surge peak on-state current (t <sub>p</sub> =8.3ms, T <sub>j</sub> =25 °C)		540	

I<sup>2</sup>



## ORDERING INFORMATION



## MARKING

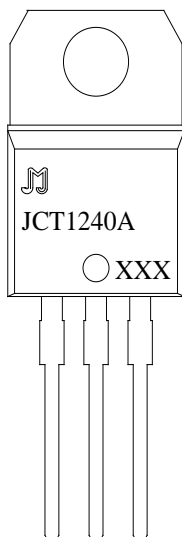
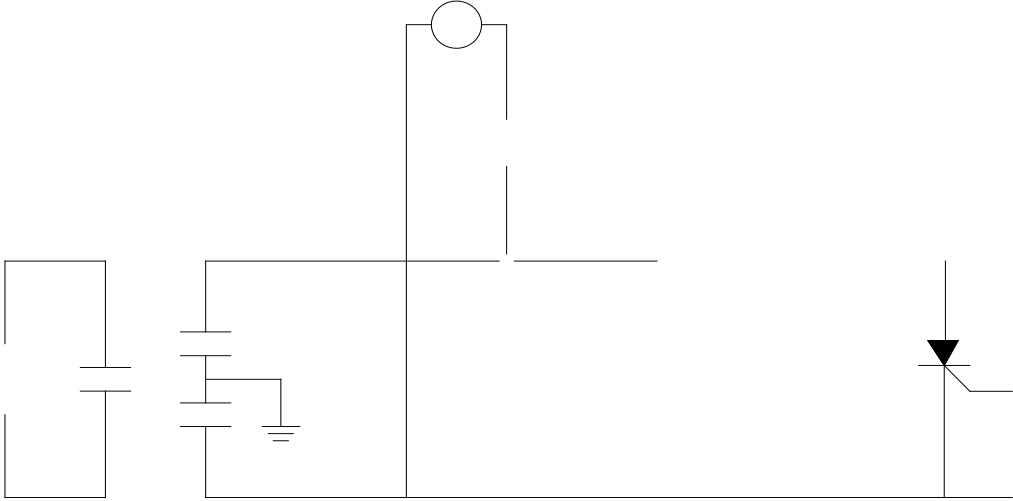




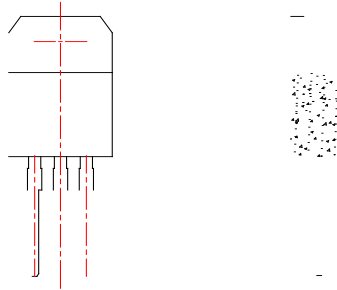
FIG.7 Test circuit for inductive and resistive loads to IEC-61000-4-5 standards.



**JCT1240A**

**Jie**

PACKAGE MECHANICAL DATA



Information furnished in this document is believed to be accurate and reliable. However, Jiangsu JieJie Microelectronics Co., Ltd. assumes no responsibility for the consequences of use without consideration for such information nor use beyond it. Information mentioned in this document is subject to change without notice, apart from that when an agreement is signed, Jiangsu JieJie complies with the agreement.