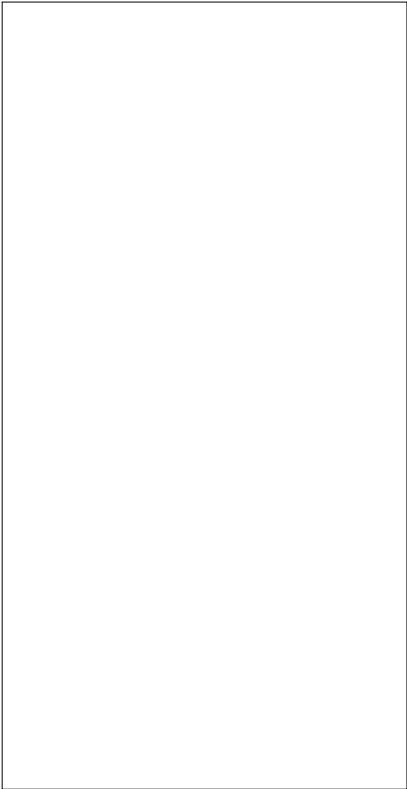




**DESCRIPTION:**

With high ability to withstand the shock loading of large current, JCT1225A SCR provides high dV/dt rate with strong resistance to electromagnetic interference. It is especially recommended for use on solid state relay, motorcycle, power charger, T-tools etc. From all three terminals to external heatsink, JCT1225A provides a rated insulation voltage of 2500 V<sub>RMS</sub>, complying with UL standards (File ref: E252906). Package TO-220A is RoHS compliant.



**MAIN FEATURES**

**ABSOLUTE MAXIMUM RATINGS**

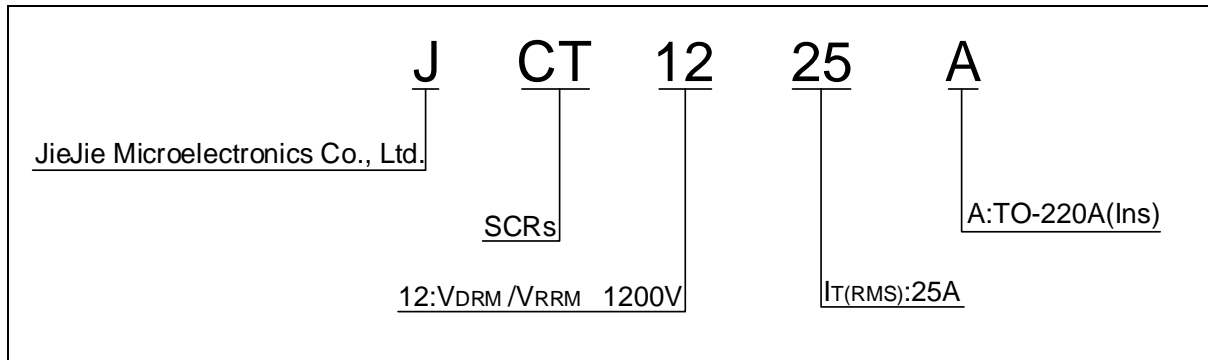
Parameter	Symbol	Value	Unit
Storage junction temperature range	T <sub>stg</sub>	-40-150	
Operating junction temperature range	T <sub>j</sub>	-40-125	
Repetitive peak off-state voltage (T <sub>j</sub> =25 °C)	V <sub>DRM</sub>	1200	V
Repetitive peak reverse voltage (T <sub>j</sub> =25 °C)	V <sub>RRM</sub>	1200	V
Average on-state current (T <sub>c</sub> 0.64 °C)	I <sub>T(AV)</sub>	16	A
RMS on-state current (T <sub>c</sub> 0.64 °C)	I <sub>T(RMS)</sub>	25	A
Non repetitive surge peak on-state current (t <sub>p</sub> =10ms, T <sub>j</sub> =25 °C)	I <sub>TSM</sub>	320	A

Peak gate current ( $t_p=20 \text{ s}$ , $T_j=125$ )	$I_{GM}$	5	A
Average gate power dissipation ( $T_j=125$ )	$P_{G(AV)}$	1	W
Peak gate power	$P_{GM}$	20	W
Peak pulse voltage ( $T_j=25$ ; non-repetitive,off-state;FIG.7)	$V_{pp}$	1	kV

**ELECTRICAL CHARACTERISTICS** (unless otherwise specified)

Symbol	Test Condition	Value			Unit
		MIN.	TYP.	MAX.	
$I_{GT}$	$V_D=12V$ $R_L=33$	-	-	40	mA

ORDERING INFORMATION



MARKING

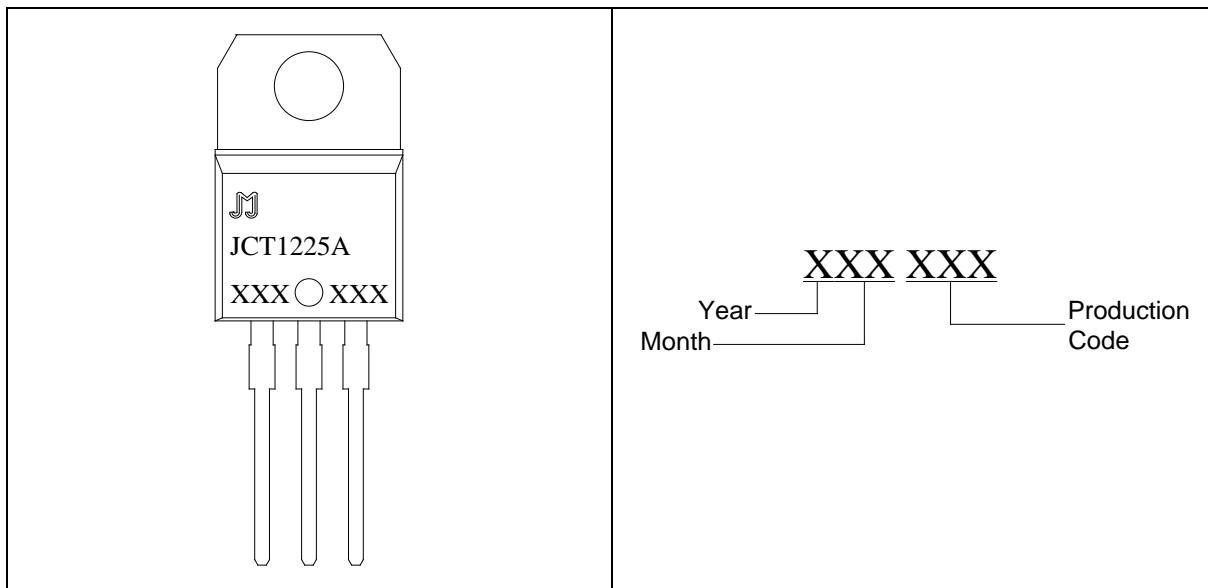
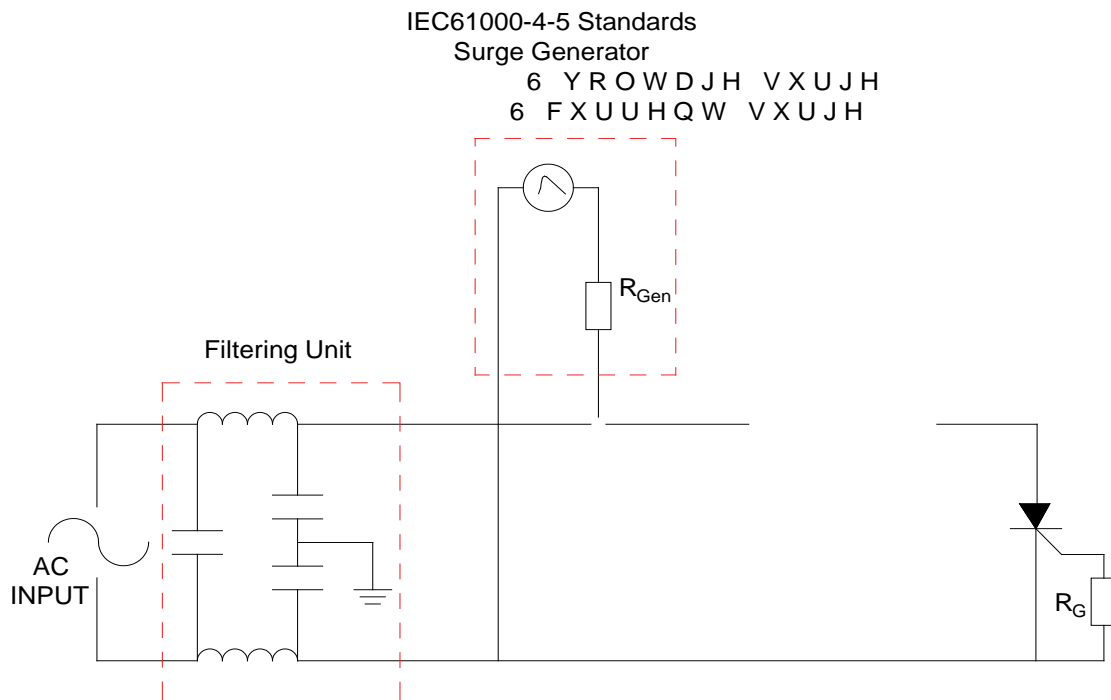


FIG.1: Maximum power dissipation versus RMS on-state current



FIG.2: RMS on-state current versus case temperature

FIG.7 ÖTest circuit for inductive and resistive loads to IEC-61000-4-5 standards.





PACKAGE MECHANICAL DATA

