

\$ & - 7

+

- LH-LH 0LFURHOHFWURQL

3HDN SXOVH YROWDJH 7M QRQ UHSHWLWLYH RII VWDWH), *			
--	--	--	--

> dZ/ > , Z d Z^d/ XQOHVV RWKHUZLVH VSHFLILHG

6\PERO	7HVW &RQGLWLRQ	4XDGUDQW	9DOXH
,7	9 9 5	0\$;	P\$
9*7		0\$;	9
9*	9 9.50 7M 5/ N	0, 1	9
/	, * ;7	0\$;	P\$
,+	,7 P\$	0\$;	P\$
G9 GW	99 *DWH 2SHQ 7	0, 1	9 V
G, GW	F G9 GW F 9 V	7	0 , 1
WQ	, P\$ \$, P\$ 5, P\$	7 < 3	V
W ₁₁	7M		
9&/	&/ P,\$s WP V	0, 1	9

^d d/ , Z d Z/^d/ ^

6\PERO	3DUDPHWHU	9DOXH 0\$;	8QLW
970	70 \$sW V M		9
972	7KUHVKROG YRQWDJH	7	9
5'	'\QDPLF UHVLVMDQFH	7	P
,50	9 9.50 \$ 9550	7M	
,550		7M	P\$

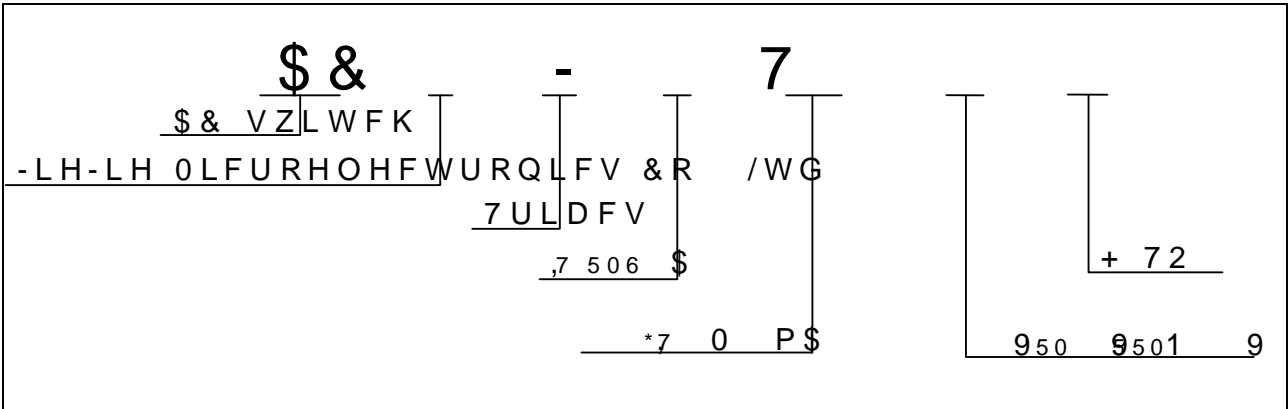
d, ZD > Z ^/^d E ^

6\PERO	3DUDPHWHU	9DOXH	8QLW
5WK M F	MXQFWLRQ WR FDVH \$&		:
5WK M D	MXQFWLRQ WR DPELHQW \$&		:

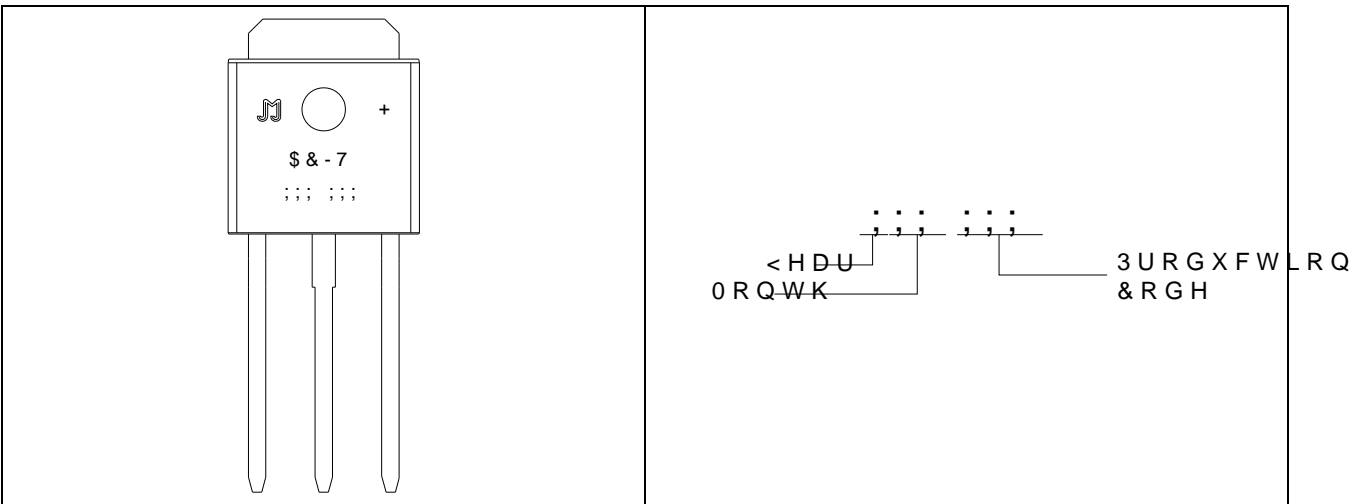
\$ & - 7 +

- LH - LH 0LFURHOHFWURQL

KZ Z/E' /E&KZD d/KE



D Z</E'



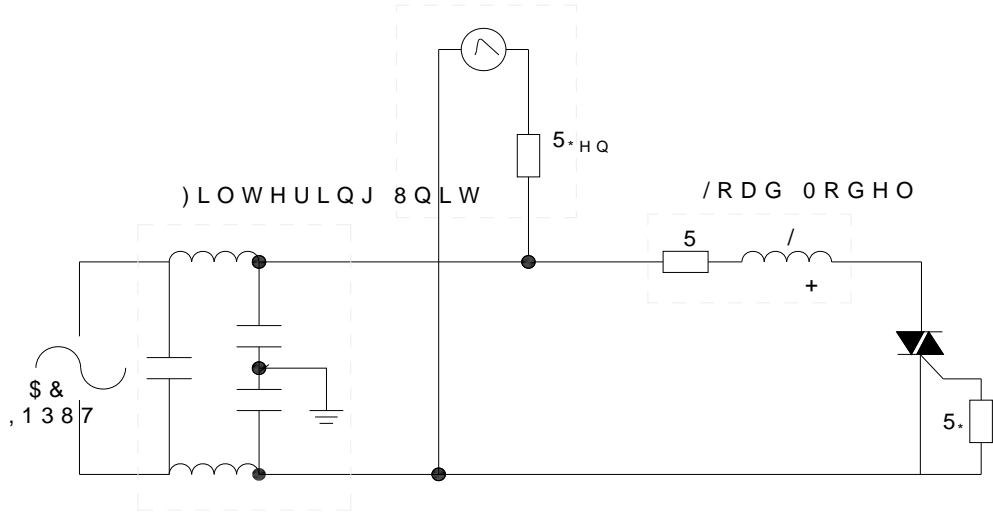
\$ & - 7 +

- LH - LH 0LFURHOHFWURQL

), * 4Ã @ V • X • Ã ZZWQ p

), * Ö7HVW FLUFXLW IRU LQGXFWLYH DQG UMVQGDUGV OF

, (& 6WDQGDUGV
6XUJH *HQHUDWRU
6 YROWDJH VXUJH
6 FXUUHQW VXUJH



\$ & - 7 +

- LH - LH 0LFURHOHFWURQL

KZ Z/E' /E&KZD d/KE

2UGHU FR	9ROWDJH 9.50 9.50 9	, *7 P\$	3DFNDJ	%DVH SFV	'HOLYHU\ PRGH
\$ & - 7 +			72		7XEH

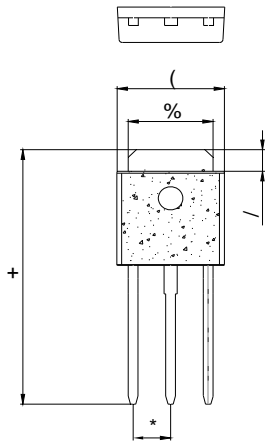
'RFXPHQW 5HYLVLRQ +LVWRU\

'DWH	5HYLVLRQ	&KDQJHV
\$SU	\$	/DVW XSGDWHG
2FW	\$	5HYLVH 3\$&.\$*(0(&+\$1,&\$/ '\$7\$

\$ & - 7 +

- LH - LH 0LFURHOHFWURQL

W < ' D , E / > d



,QIRUPDWLRQ IXUQXPHQW ILQ WKOLHGRHG WR EH DFFXUDWH D
 -LDQJVVX -LH-LH 0LRRHOWHG WDVROLFHVVQLRVUHRUSRQVLEERQVHT
 RI XVH ZLWKRXW FRQVLGHUDWLRQ IRG MWFKQLQURPUDWLRQ
 LQ WKLV GRFXPHQW LQJYXZELMHFRXWRQRWLFH DSDUW IURP V
 VLJQHG -LDQJVVX 0LHVLELFRKPKH DJUHHPHQW
 3URGXFWV DQG LQIRURDWKLRQSRURXFLGHG KDYH QR LQIULQJ
 -LDQJVVX -LH-LH DVVXPHLOQR\URVSRQWIRQKIQJWIPJKWWRIW
 SDUWLHV ZKLFK PDKXVXROIW XURKPSWBBDWWRQDQILQGRFXPH
 VXSHUVHGHV DQG UHSODFHV DOO LQIRUPDWLRQ SUHYLRXV
 LV D UHJLVWHUHG QJDXGLHDUNRUF-URHOWHG WURQLFV &
 &RS\ULJKW < -LDQLFURHLOHEMURQUEYK&RV UHWGHUSOHC