

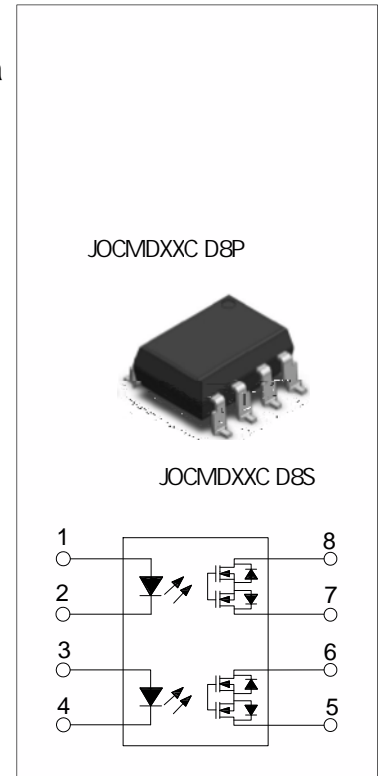


DESCRIPTION:

The products are 8-pin optical relays. The device consists of an AlGaAs infrared emitting diode input stage optically coupled to a high-voltage output detector circuit in a plastic DIP8 package with different lead forming options. The detector consists of a high-speed photovoltaic diode array and driver circuitry. The products are widely used in isolation in high-speed inspection machines, telephones equipment and computers.

MAIN FEATURES

- High isolation 5000 Vrms
- Operating temperature range -40°C to 110°C
- REACH & RoHS compliance
- HBM: H3A; MM: M4; CDM: C3
- CQC approved
- VDE approved
- UL approved



ABSOLUTE MAXIMUM RATINGS (Temperature=25°C)

Parameter		Symbol	Value	Unit
Input	Forward Current	I_F	50	mA
	Peak Forward Current	I_{FP}	1	A
	Reverse Voltage	V_R	6	V
	Input Power Dissipation	P_D	75	mW
Output	Load Voltage	JOCMD35C	60	V
		JOCMD74C	400	
	Continuous load current	JOCMD35C	0.18	A
		JOCMD74C	0.1	
Output Power Dissipation		P_O	800	mW
Total Power Dissipation		P_{tot}	875	mW
Isolation Voltage		V_{iso}	5000	Vrms
Operating Temperature		T_{opr}	-40~110	
Junction Temperature		T_j	125	
Storage Temperature		T_{stg}	-40~125	

Soldering Temperature	T _{sol}	260	
-----------------------	------------------	-----	--

NOTE1. 100µs pulse, 100Hz frequency

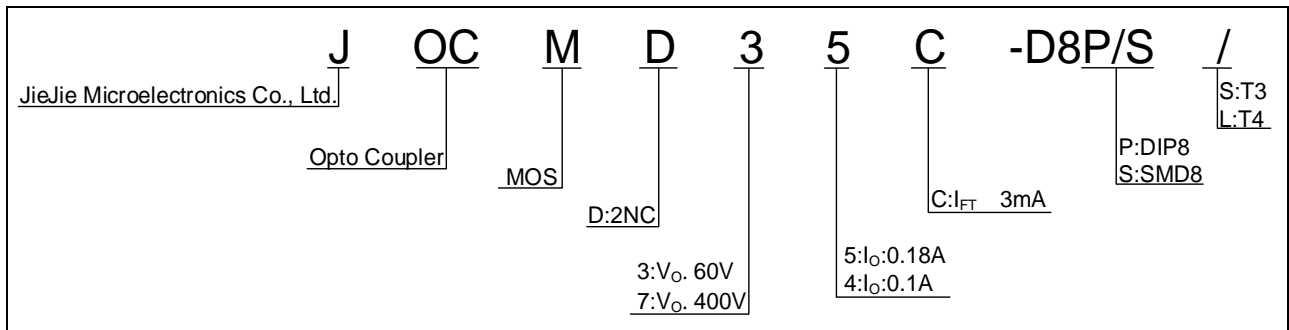
NOTE2 AC for 1minute, R.H.=40~60%

ELECTRICAL CHARACTERISTICS (Temperature=25°C)

Parameter	Symbol	Condition	Min.	Typm	Max	Unit
Forward Voltage	V _F	I _F =m A				

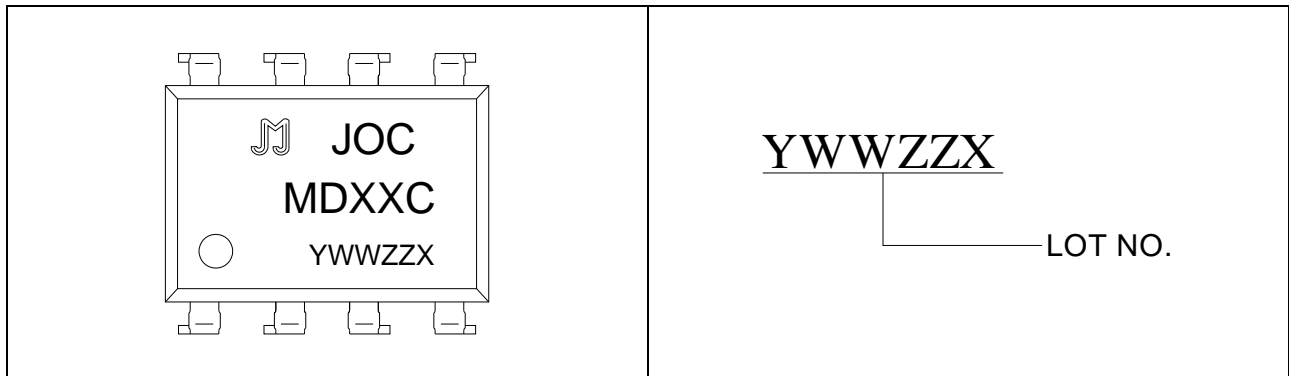
Input

ORDERING INFORMATION



Packing Quantity	
Option	Quantity
DIP	50 Units/Tube
SMD	1200 Units/Reel

MARKING



Characteristics Curves

FIG.1: LED Dropout Voltage vs. Ambient Temperature

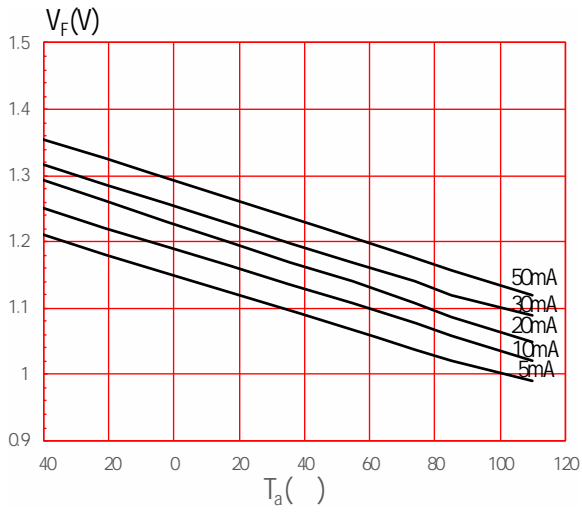


FIG.3: On Resistance vs. Ambient Temperature



FIG.2: Output Current vs. Output Voltage

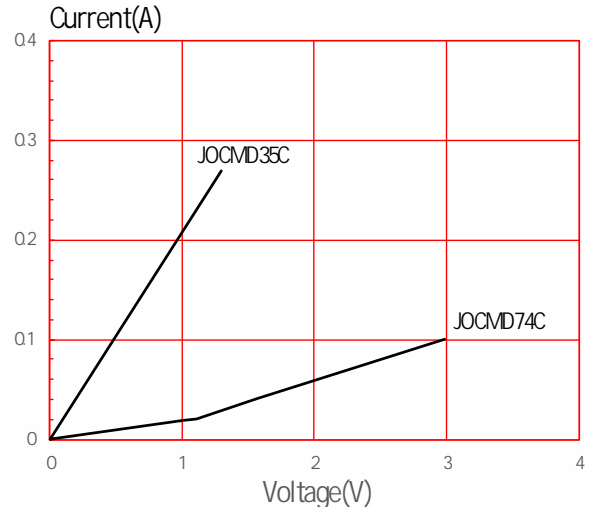


FIG.4: Load Current vs. Ambient Temperature

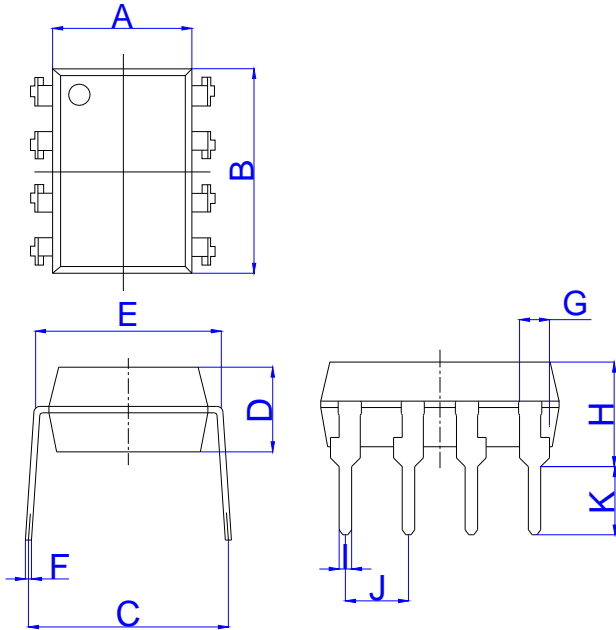
FIG.7: Turn On Time vs. Ambient Temperature



FIG.8: Turn Off Time vs. Ambient Temperature

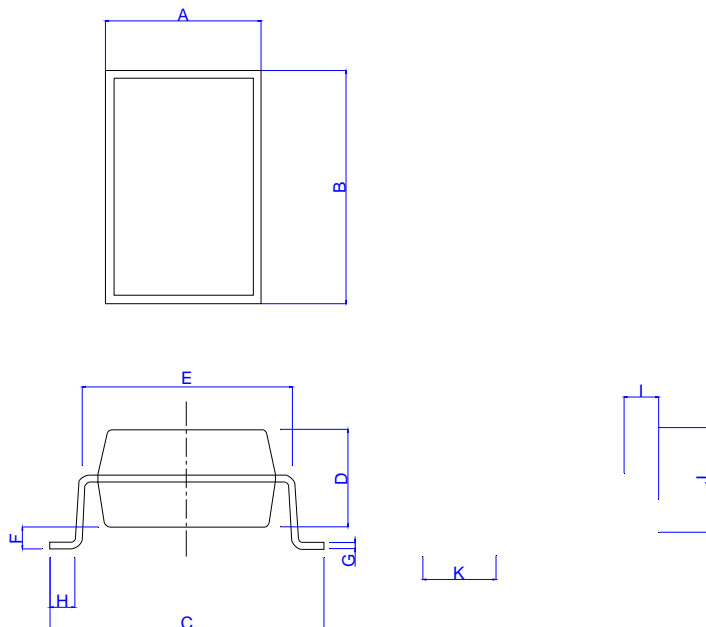
Package Dimension (Unit: mm)

Standard DIP Type:



Ref.	Dimensions					
	Millimeters			Inches		
	Min.	Typ.	Max.	Min.	Typ.	Max.
A	6.20		6.60	0.244		0.260
B	9.40		9.80	0.370		0.386
C	7.15		8.95	0.281		0.352
D	3.20		3.60	0.126		0.142
E	7.32		7.92	0.288		0.312
F	0.15		0.35	0.006		0.014
G	0.90		1.50	0.035		0.059
H	3.90		4.50	0.154		0.177
I	0.40		0.60	0.016		0.024
J	2.29		2.79	0.090		0.110
K	2.24		3.24	0.088		0.128

Option SMD Type:

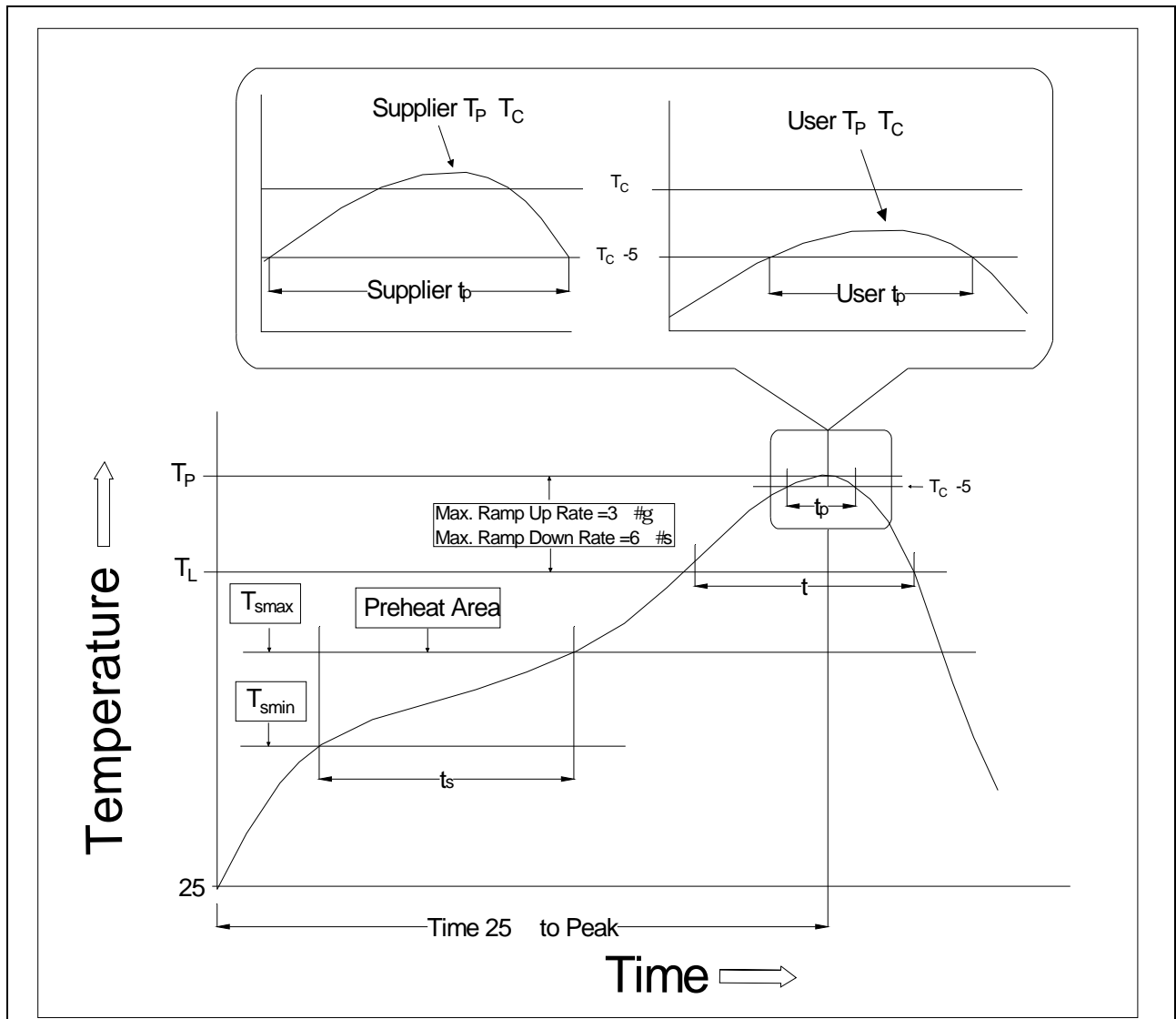


Ref.	Dimensions					
	Millimeters			Inches		
	Min.	Typ.	Max.	Min.	Typ.	Max.
A	6.20		6.60	0.244		0.260
B	9.40		9.80	0.370		0.386
C	9.50		10.50	0.374		0.413
D	3.20		3.60	0.126		0.142
E	7.32		7.92	0.288		0.312
F						
G						
H						
I	0.90		1.50	0.035		0.059
J	3.30		3.90	0.130		0.154
K						

RECOMMENDED SOLDER MASK (Dimensions in mm unless otherwise stated)

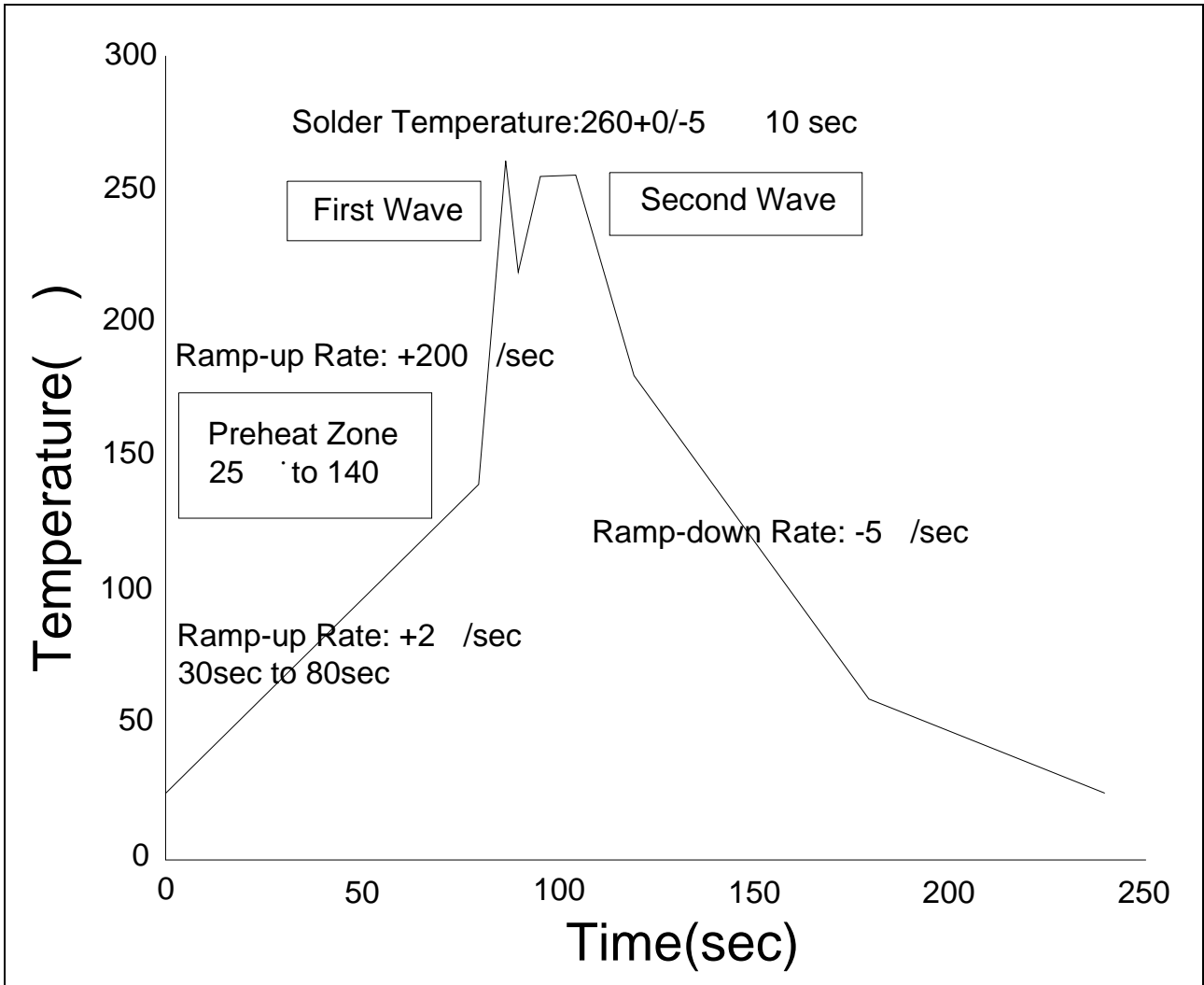


REFLOW INFORMATION



Profile Feature	Sn-Pb Assembly Profile	Pb-Free Assembly Profile
Temperature Min. (T _{smin})	100	150
Temperature Max. (T _{smax})	150	200
Time (t _s) from (T _{smin} to T _{smax})	60-120 seconds	60-120 seconds
Ramp-up Rate (t _L to t _P)	3 /second max.	3 /second max.

WAVE SOLDERING



HAND SOLDERING BY SOLDERING IRON

Soldering Temperature	360±5
Soldering Time	3s max.

Note:

1. Reflow soldering is recommended at the temperatures and times shown, no more than three times.
2. Avoid direct contact between the epoxy body and any tools or surfaces exceeding its maximum