

:100 s pulse, 100Hz frequency

:AC for 1minute, R.H40~60%

(Temperature=25°C)

Parameter		Symbol	Condition	Min.	Typ.	Max.	Unit
Input	Forward Voltage	V _F	I _F =1.0mA	-	1.24	1.4	V
			I _F =2.0mA	-	1.3	1.5	
	Input Capacitance	C _{in}	V _{in} =10V f=1MHz	T _{cin} -	30	250	pF

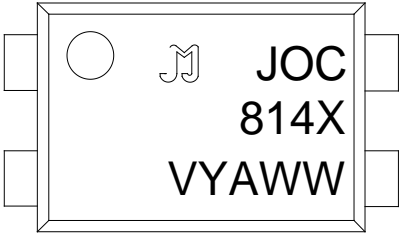


FIG.1: Forward Current vs. Ambient Temperature

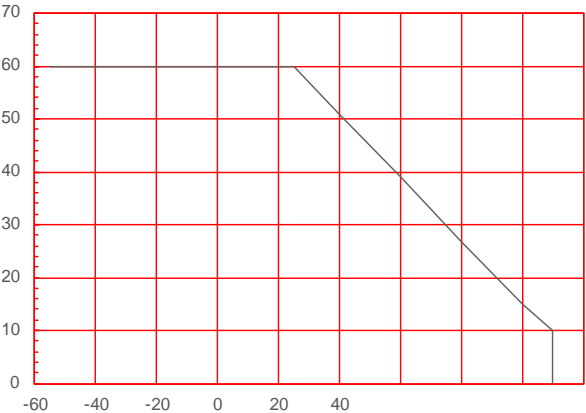


FIG.2: Collector Power Dissipation vs. Ambient Temperature

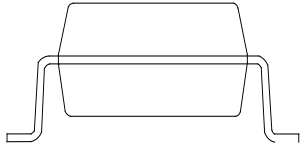
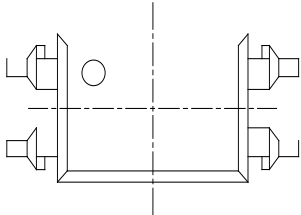
FIG.7: Normalized Current Transfer Ratio vs. Ambient Temperature



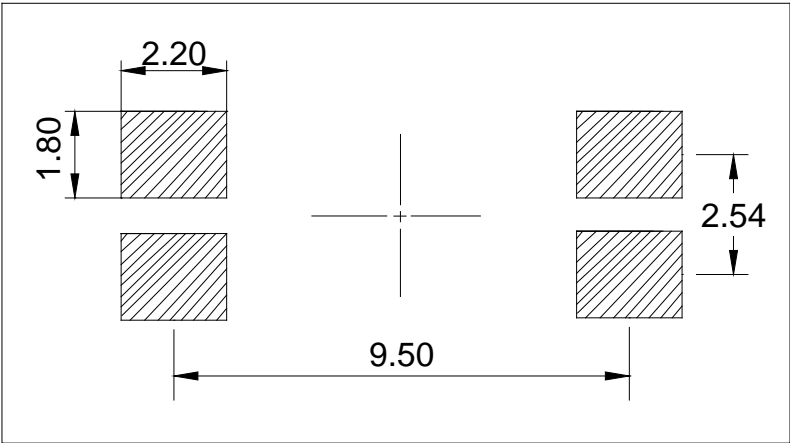
FIG.8: Normalized Collector-emitter Saturation Voltage vs. Ambient Temperature

JOC814X1

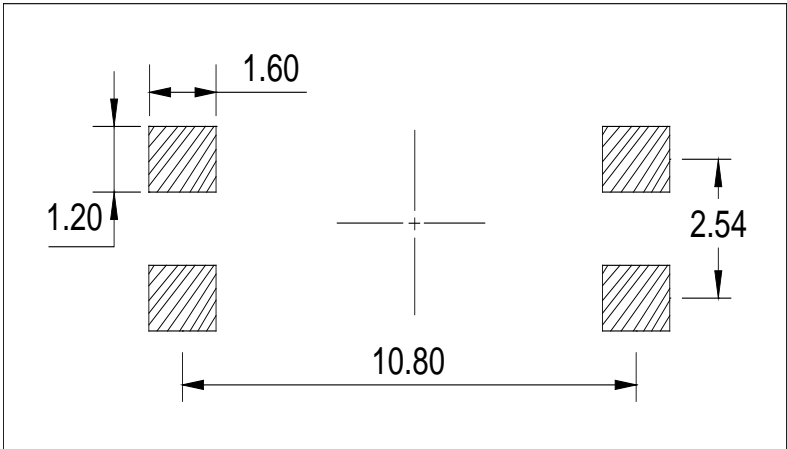
Option S Type:



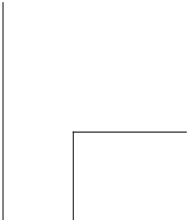
Option SL

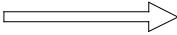
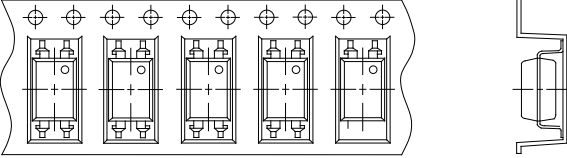


Option SLM

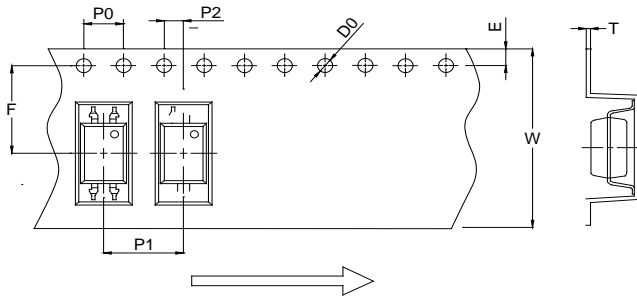


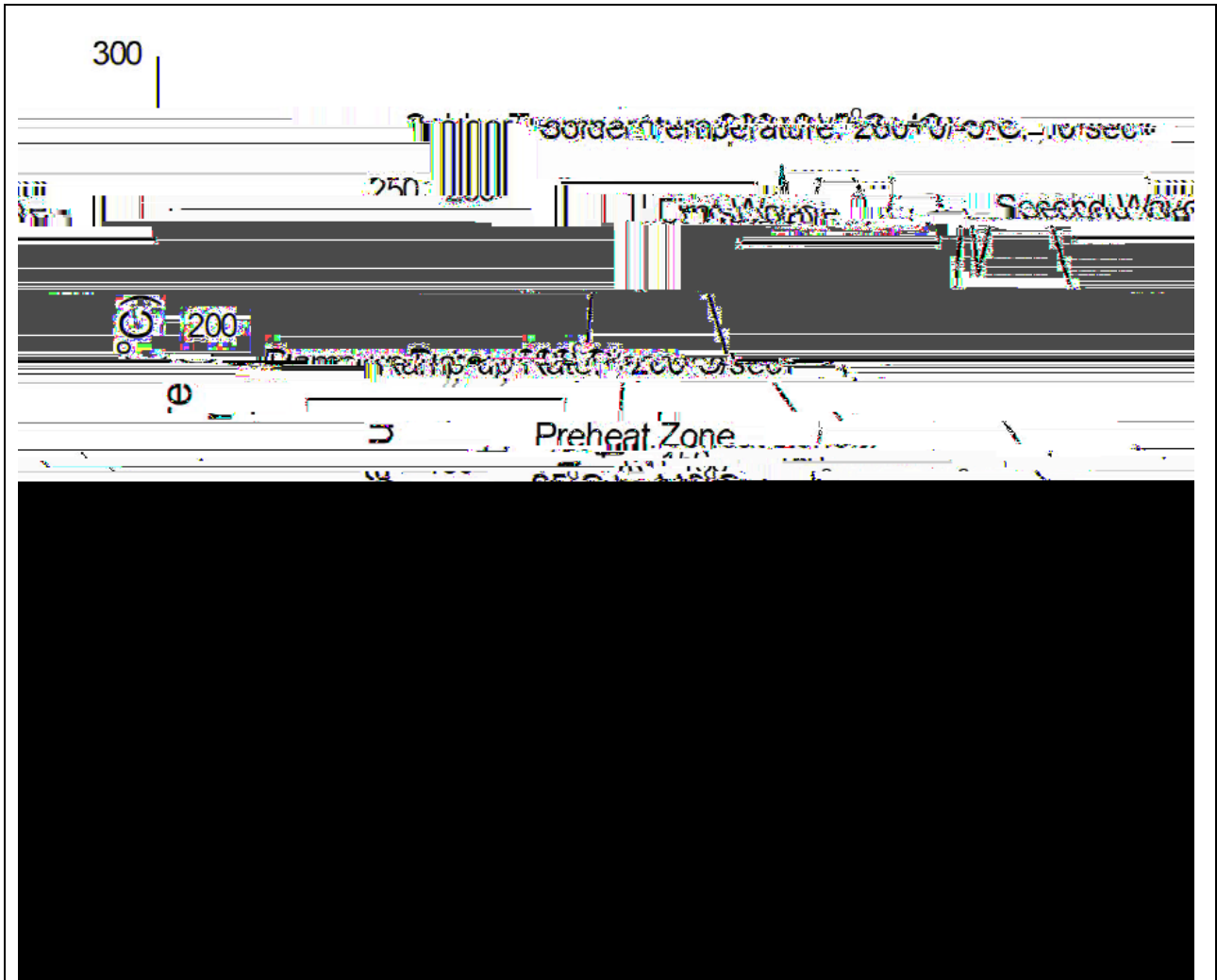
Standard DIP





Option SLM(T1)






Soldering Temperature	360± 5
Soldering Time	3s max.

Information furnished in this document is believed to be accurate and reliable. However, Jiangsu JieJie Microelectronics Co., Ltd. assumes no responsibility for the consequences of use without consideration for such information nor use beyond it. Information mentioned in this document is subject to change without notice, apart from that when an agreement is signed, Jiangsu JieJie complies with the agreement.

Products and information provided in this document have no infringement of patents. Jiangsu JieJie assumes no responsibility for any infringement of other rights of third parties which may result from the use of such products and information. This document supersedes and replaces all information previously supplied.

 is a registered trademark of Jiangsu JieJie Microelectronics Co., Ltd.
Copyright © 2025 Jiangsu JieJie Microelectronics Co., Ltd. All rights reserved.