

	Power Dissipation Derating ($T_a = 25^\circ\text{C}$)	$P_D/$	-3.33	mW/
Total Power Dissipation		P_{tot}	350	mW
Isolation Voltage		V_{iso}	5000	V _{rms}
Operating Temperature		T_{opr}	-55~100	
Storage Temperature		T_{stg}	-55~125	
Soldering Temperature		T_{sol}	260	

: AC for 1minute, R.H.=40~60%

: For 10 seconds

(Temperature=25°C)

Parameter		Symbol	Condition	Min.	Typ.	Max.	Unit
Input	Forward Voltage	V_F	$I_F=10\text{mA}$	-	1.27	2.2	V
	Reverse Current	I_R	$V_R=6\text{V}$	-	-	1	μA
	Input Capacitance	C_{in}	$V=0, f=1\text{kHz}$	-	10	-	pF
Output	Peak Off-state Current, Either Direction	I_{OFF}	$V_{OFF}=800\text{V}, I_F=0$	-	-	100	nA
	Peak On-state Voltage, Either Direction	V_{TM}	$I_{TM}=100\text{mA}$	-	1.7	2.5	V
	Critical Rate of Rise of Off-state voltage	dV/dt	$V_{PEAK}=800\text{V}, I_F=0$	1000	-	-	V/ μs

JOC308X

FIG.7: Normalized On-state Terminal Voltage vs. Ambient Temperature

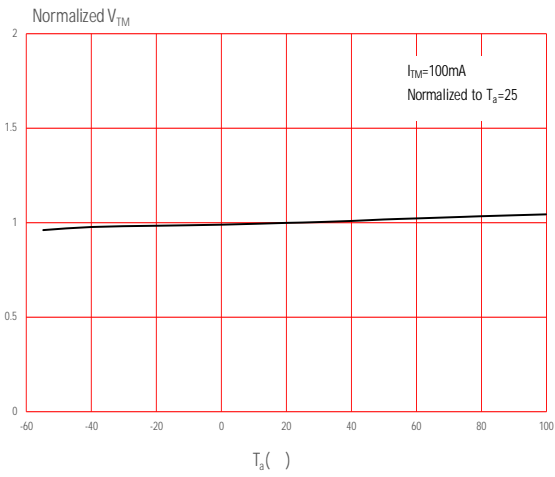


FIG.8: On-state Terminal Voltage vs. On-state Terminal Current

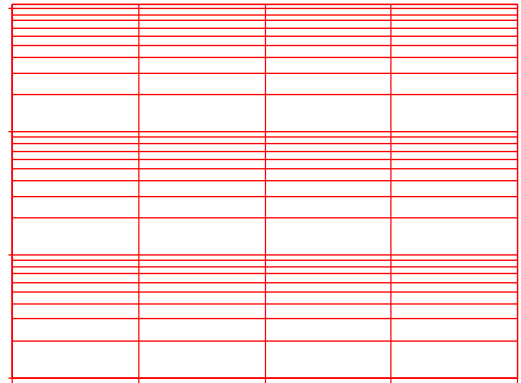


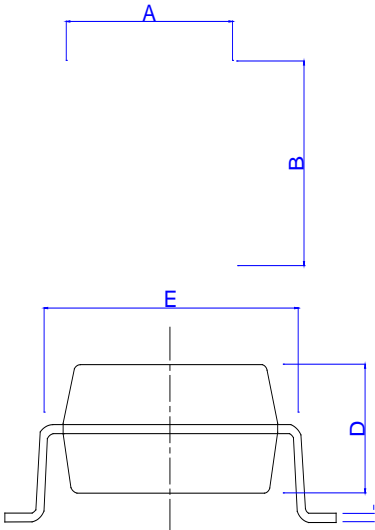
FIG.12: Test Circuits of Turn On Time

FIG.13: Waveforms of Turn On Time

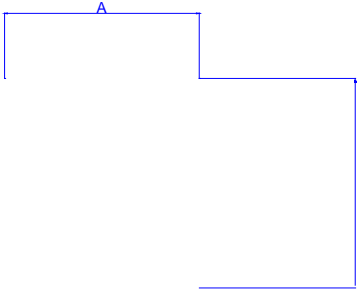
Fig.14: Test Circuits of dV/dt

Fig.15: Waveforms of dV/dt

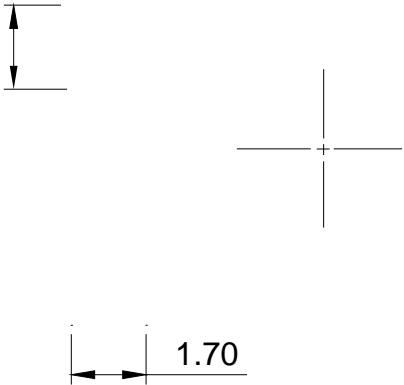
Option S Type:



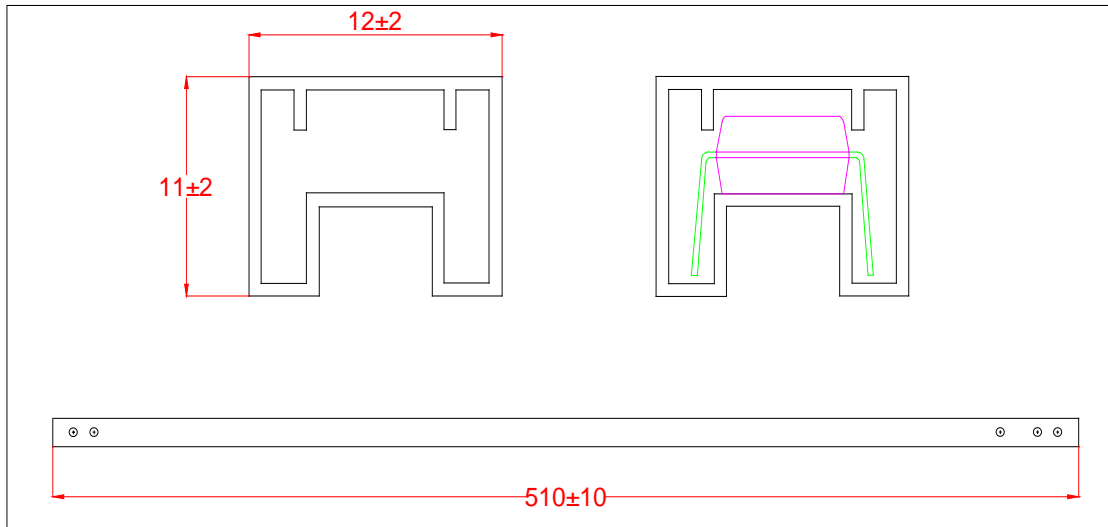
Option SLM Type:



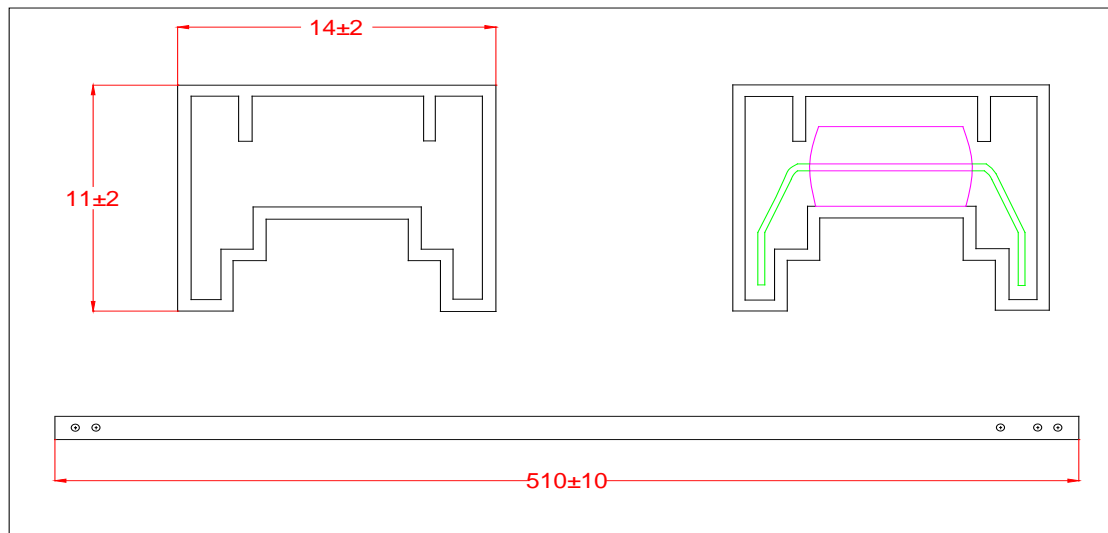
Option SL

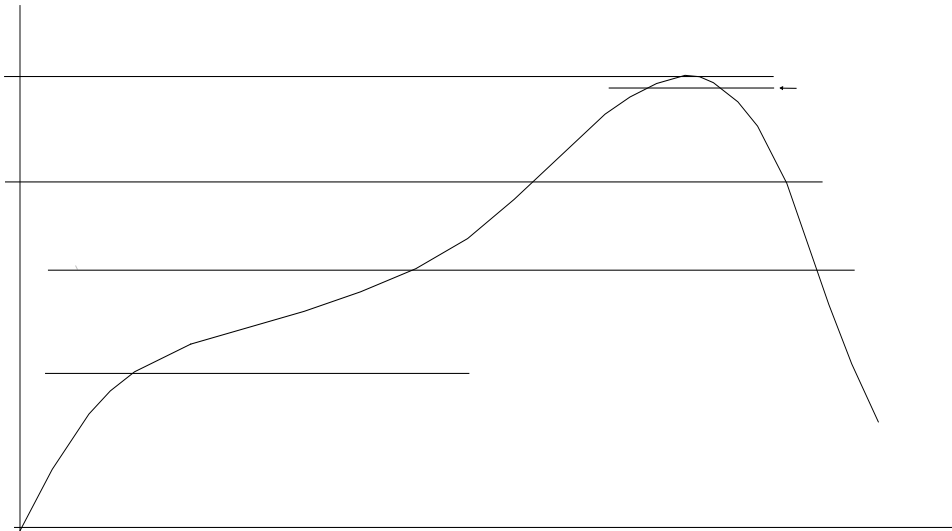
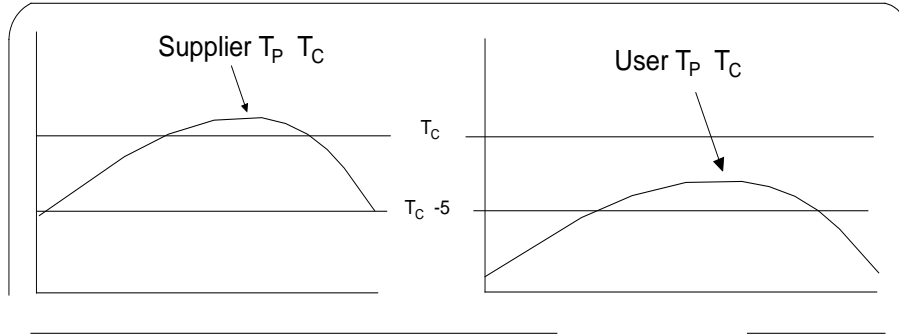


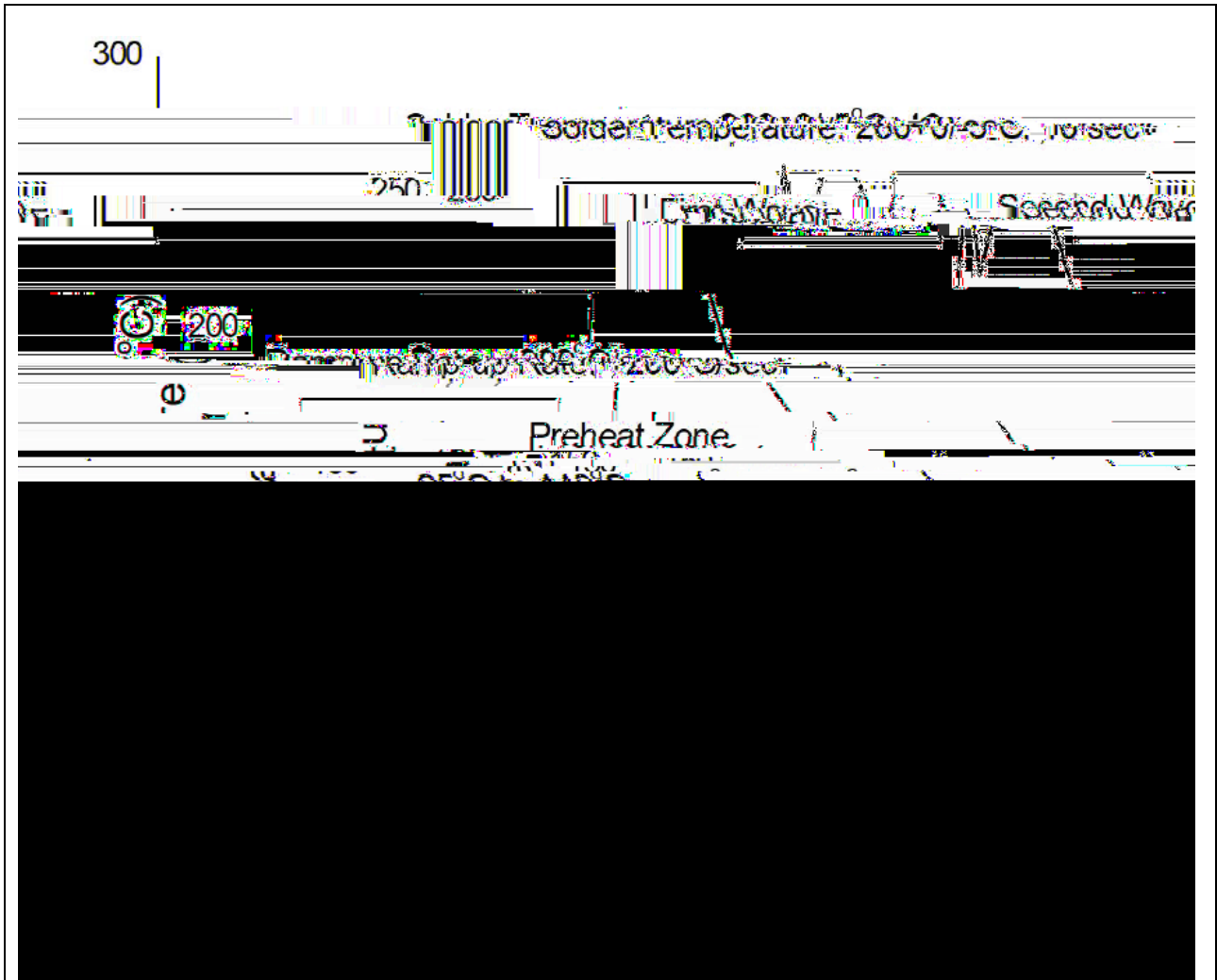
Standard DIP



Option M







Soldering Temperature	360± 5
Soldering Time	3s max.

Document Revision History

Date	Revision	Changes
Apr.2, 2025	A.1.0	Last update
Nov.5, 2025	A.1.1	Add S&SLM package