

Description

JMT N-channel Enhancement Mode Power MOSFET

Features

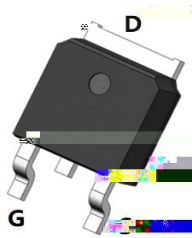
Lead Free

Applications

- z Load Switch
- z PWM Application
- z Power Management



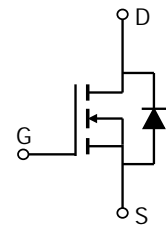
100% UIS TESTED!
100% ΔV_{ds} TESTED!



TO-2523L(DPAK) Top View



Marking and Pin Assignment



Schematic Diagram

Electrical Characteristics ($T_j = 25^\circ\text{C}$ unless otherwise specified)

Symbol	Conditions	Min.	Typ.	Max.	Unit
Off Characteristics					
$V_{(BR)DSS}$		30	-	-	V
I_{DSS}		-	-	1.0	μA
I_{GSS}		-	-	-100	nA
On Characteristics					
$V_{GS(th)}$		1.2	1.6	2.2	V
		-	7.8	10.0	$\text{m}\Omega$
		-	11.5	15.0	$\text{m}\Omega$
C_{iss}		-	-	-	
		-	-	-	
		-	-	-	C

Typical Performance Characteristics

Figure 7: Normalized Breakdown voltage vs. Junction Temperature

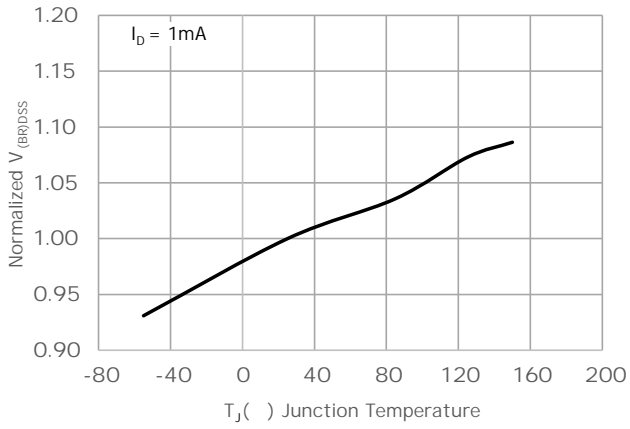
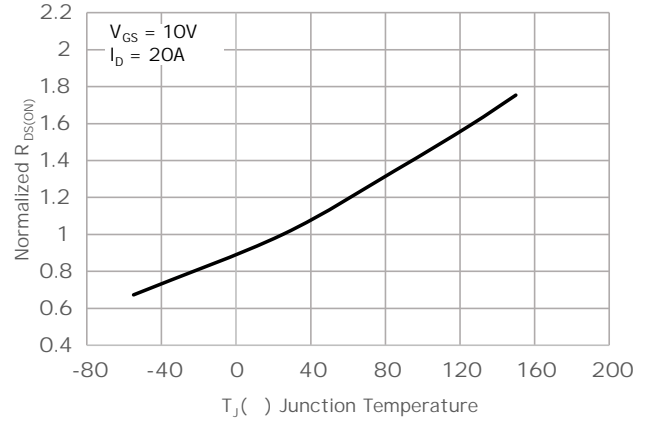


Figure 8: Normalized on Resistance vs. Junction Temperature



Test Circuit

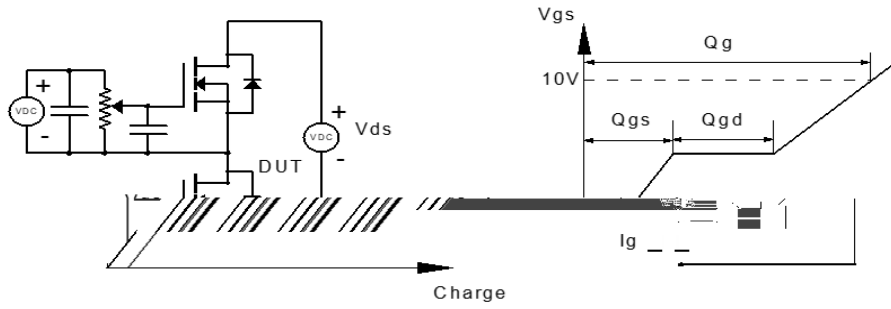


Figure 1: Gate Charge Test Circuit & Waveform

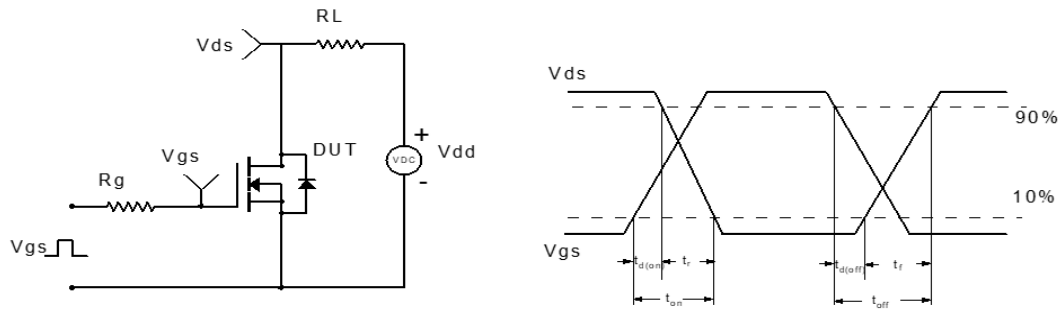


Figure 2: Resistive Switching Test Circuit & Waveform

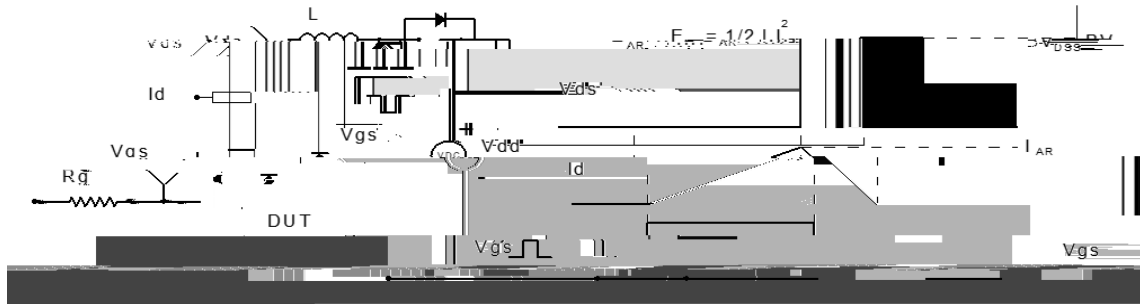


Figure 3: Unclamped Inductive Switching Test Circuit & Waveform

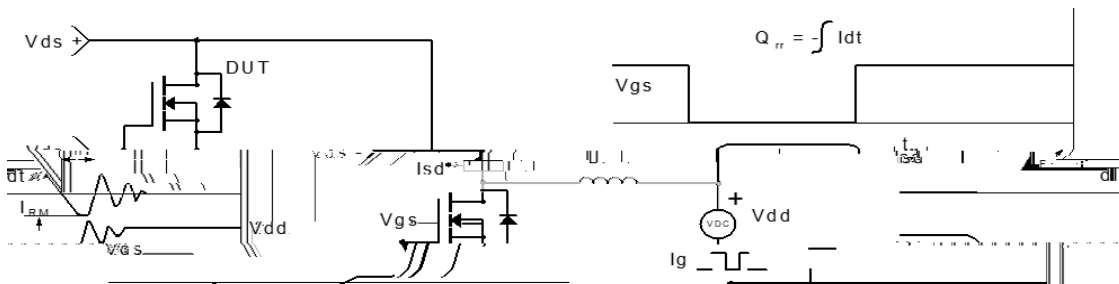
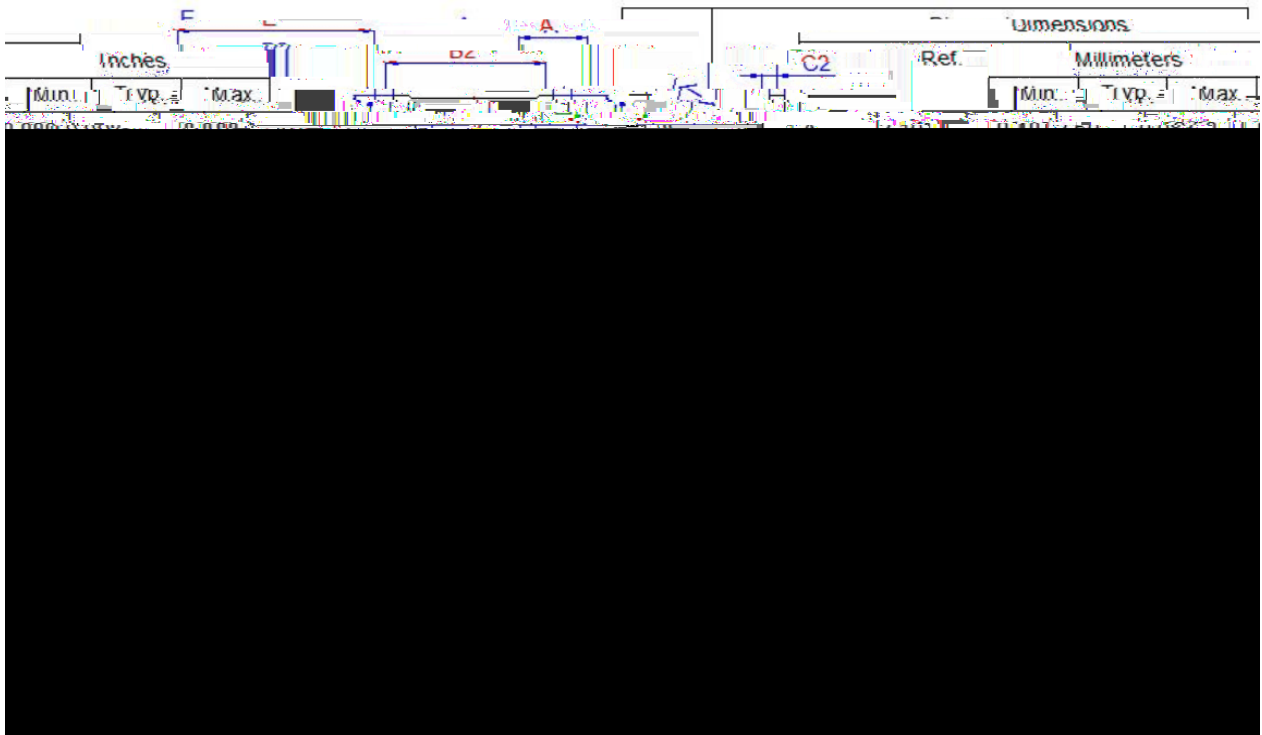


Figure 4: Diode Recovery Test Circuit & Waveform



Package Mechanical Data(TO-252-3L)



Information furnished in this document is believed to be accurate and reliable. However, Jiangsu JieJie Microelectronics Co.,Ltd assumes no responsibility for the consequences of use without consideration for such information nor use beyond it. Information mentioned in this document is subject to change without notice, apart from the when an agreement is signed, Jiangsu JieJie complies with the agreement. Products and information provided in this document have no infringement of patents. Jiangsu JieJie assumes no responsibility for any infringement of other rights of third parties which result from the use of such products and information.

 is a registered trademark of Jiangsu JieJie Microelectronics Co.,Ltd.
Copyright '2023 Jiangsu JieJie Microelectronics Co.,Ltd. Printed All rights reserved.